

HIJO DE MIGUEL
PANADERO
Mod.

INSERT CB/ LMI 80/ 180

FIREPLACE

FOYER

HOGAR

INBOUWHAARD

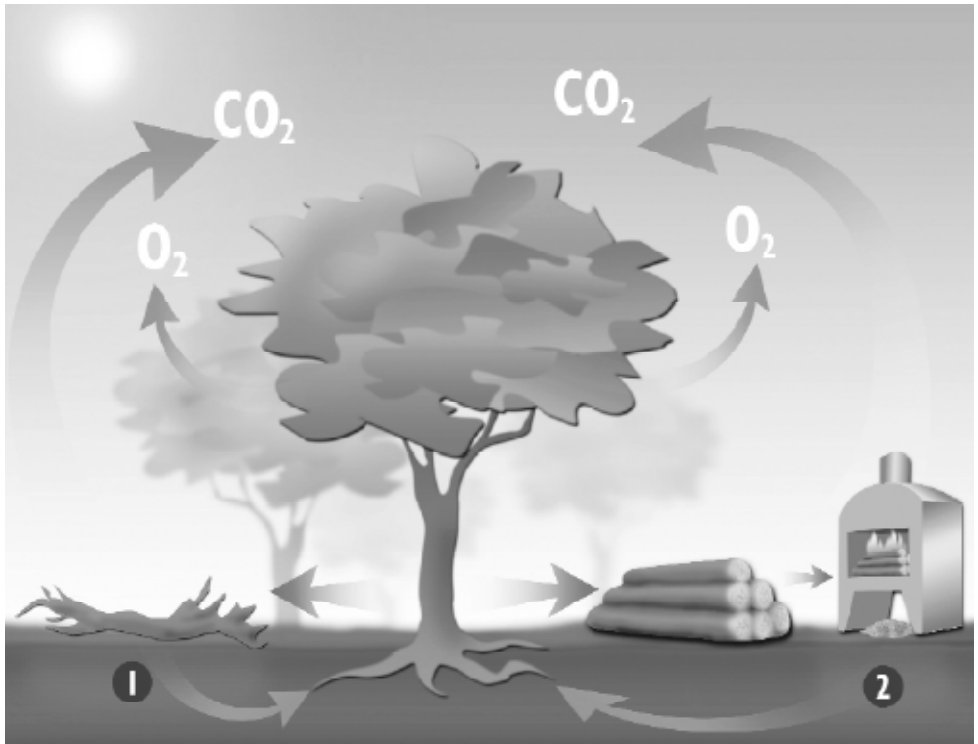
WKLAD KOMINKOWY

RECUPERADOR

INSERTO



USAGE AND MAINTENANCE INSTRUCTIONS.....	p. 4
INSTRUCTIONS D'UTILISATION ET D'ENTRETIEN.....	p. 9
INSTRUCCIONES DE UTILIZACIÓN Y DE MANTENIMIENTO.....	p.14
GEBRUIKS- EN ONDERHOUDSAANWIJZINGEN	p.19
ISTRUZIONI D'USO E MANUTENZIONE	p.24
INSTRUKCJA UŻYTKOWANIA I KONSERWACJI	p. 29
INSTRUÇÕES DE UTILIZAÇÃO E MANUTENÇÃO	p.35
GEBRAUCHS-UND WARTUNGSANLEITUNG.....	p.40
INSTALLATION	p.47



1 Nutrients/Éléments nutritifs/ Nutrientes/Voedingsstoffen

2 Ashes - Fertilizer / Cendres – Engrais / Cenizas – Abono / Assen - Kunstmest

Wood: an ecological fuel

Wood is a renewable source of energy which answers the energy and environmental demands of the 21st century.

Throughout its long life, a tree grows from sunlight, water, mineral salts and CO₂. Following the general pattern of nature, it soaks up energy from the sun and supplies us with the oxygen essential for animal life.

The quantity of CO₂ given off during the combustion of wood is no greater than that given off by its natural decomposition. This means we have a source of energy that respects the natural cycle of millions of years. Burning wood does not increase the CO₂ in the atmosphere, making it an ecological source of energy which plays no part in the greenhouse effect.

In our wood-burning stoves logs are burnt cleanly without leaving any residue. Wood ash is a high quality fertilizer, rich in mineral salts.

In buying a wood-burning stove, you will help the environment, your heating will be very economical and you will be able to enjoy watching the flames, something no other form of heating can offer.

Le bois: une énergie écologique

Le bois est une énergie renouvelable qui répond aux défis énergétiques et environnementaux du 21^{ème} siècle.

Tout au long de sa vie, un arbre pousse grâce à la lumière du soleil, l'eau, les sels minéraux et le CO₂. Il accumule de manière naturelle l'énergie solaire et nous offre l'oxygène indispensable à la vie.

La quantité de CO₂ qui se dégage pendant la combustion du bois n'est pas supérieure à celle qui serait émise lors de sa décomposition naturelle. Nous sommes donc devant un type d'énergie qui respecte le cycle naturel de millions d'années. La combustion du bois n'augmente pas le CO₂ dans l'environnement, c'est une énergie écologique qui ne participe pas à l'effet de serre.

Avec nos poêles, le bois se brûle proprement et ne laisse aucun résidu. La cendre du bois représente un engrais de haute qualité, riche en sels minéraux.

En achetant un poêle à bois, vous aidez l'environnement, vous aurez un chauffage économique et vous pourrez apprécier ce spectacle des flammes qu'aucun autre type de chauffage peut offrir.

La leña: una energía ecológica

La leña es una energía renovable que responde a los retos energéticos y medioambientales del siglo XXI.

A lo largo de su vida, un árbol crece gracias a la luz solar, el agua, las sales minerales y el CO₂. Acumula de forma natural la energía del sol y nos da el oxígeno indispensable para la vida.

La cantidad de CO₂ que se desprende durante la combustión de la leña no es superior a la que se emitiría por su descomposición natural. Por lo tanto estamos ante un tipo de energía que respeta el ciclo natural de millones de años. La combustión de la leña no aumenta el CO₂ en el medioambiente, por lo que es una energía ecológica que no participa del efecto invernadero.

En nuestras estufas, la leña se quema limpiamente y no deja residuos. La ceniza de leña es un abono de alta calidad, rico en sales minerales. Al comprar una estufa de leña, usted está ayudando al medioambiente, tendrá una calefacción económica, y disfrutará de ese espectáculo de las llamas que ningún otro tipo de calefacción puede ofrecer.

Drewno: paliwo ekologiczne

Drewno jest energią odnawialną, która odpowiada na wyzwania energetyczne i ekologiczne XXI wieku. Podczas całego swojego życia drzewo rośnie dzięki światłu słonecznemu, wodzie, solom mineralnym i dwutlenkowi węgla (CO₂). W sposób naturalny akumuluje energię i daje nam tlen niezbędny do życia.

Ilość dwutlenku węgla wydzielanego podczas spalania drewna nie jest większa od tej, jaka byłaby wydzielana w trakcie jego rozkładu naturalnego. Dzięki temu mamy do czynienia z energią, która jest w zgodzie z cyklem natury trwającym miliony lat. Spalanie drewna nie zwiększa poziomu CO₂ w środowisku, przez co drewno jest paliwem ekologicznym, nie przyczynia się do wzrostu efektu cieplarnianego.

W naszych piecykach drewno spala się całkowicie i nie pozostawia odpadów. Popiół, który pozostaje jest nawozem wysokiej jakości, bogatym w sole mineralne. Kupując piecyk kominkowy opalany drewnem pomagają Państwo dbać o środowisko, korzystają z ekonomicznego ogrzewania i mają możliwość podziwiania piękna płomieni, którego nie zapewni Państwu żaden inny rodzaj ogrzewania.

Il legno: un'energia ecologica

Il legno è una fonte d'energia rinnovabile che offre una soluzione alle sfide energetiche e ambientali del XXI secolo.

Un albero cresce grazie alla luce del sole, all'acqua, ai sali minerali e alla CO₂. Accumula in modo naturale l'energia del sole e ci fornisce l'ossigeno indispensabile alla vita.

La quantità di CO₂ che si produce durante la combustione del legno non è superiore a quella che libererebbe per scomposizione naturale. Pertanto ci troviamo in presenza di un tipo di energia che rispetta il ciclo naturale di milioni di anni. La combustione del legno non aumenta il livello di CO₂ presente nell'ambiente, quindi si tratta di una fonte d'energia ecologica che non contribuisce all'effetto serra.

Nelle nostre stufe, la legna brucia in modo pulito e non lascia residui. La cenere del legno è un fertilizzante d'elevata qualità, ricco di sali minerali. Quando compra una stufa a legna, dà una mano all'ambiente, ottiene un riscaldamento economico, e può godere dello spettacolo delle fiamme che nessun altro tipo di riscaldamento le può offrire.

Brandhout: milieuvriendelijke energie

Brandhout is een vervangbare energie die voldoet aan de energie- en milieueisen van de 21^{ste} eeuw.

In de loop van zijn leven groeit een boom dankzij zonlicht, water, mineraalzouten en CO₂. Hij verzamelt op natuurlijke wijze de zonne-energie en geeft ons de zuurstof die nodig is om te leven.

De hoeveelheid CO₂ die tijdens het stoken van hout wordt uitgestoten is niet groter dan die vrijkomt door natuurlijke ontbinding. Daarom hebben we te maken met een energiesoort die de natuurlijke cyclus van miljoenen jaren respecteert. De verbranding van hout verhoogt de CO₂-emissie in het milieu niet, waardoor het een milieuvriendelijke energie is die niet bijdraagt aan het broeikas-effect.

In onze kachels wordt het brandhout schoon en zonder afvalstoffen gestookt. Houtas is mest van hoge kwaliteit en rijk aan mineraalzouten. Door een houtkachel te kopen helpt u het milieu, heeft u een goedkope verwarming en geniet u van de gezellige vlammen die geen andere verwarming u kan bieden.

A lenha: uma energia ecológica

A lenha é uma energia renovável que responde às exigências energéticas e de meio-ambiente do século XXI.

Ao longo da sua vida, uma árvore cresce graças à luz solar, à água, aos sais minerais e ao CO₂. Acumula, de forma natural, a energia do sol e dá-nos o oxigénio indispensável para a vida.

A quantidade de CO₂ que se liberta durante a combustão da lenha não é superior à que se emitiria através da sua decomposição natural. Portanto, estamos perante um tipo de energia que respeita o ciclo natural de milhões de anos. A combustão da lenha não aumenta o CO₂ no meio-ambiente, pelo que é uma energia ecológica que não contribui para o efeito de estufa.

Nas nossas salamandras a lenha queima-se de forma limpa, sem deixar resíduos. A cinza da lenha é um adubo de alta qualidade, rico em sais minerais. Ao comprar uma salamandra de lenha está a ajudar o meio-ambiente, terá um aquecimento económico e desfrutará do espectáculo das chamas que nenhum outro tipo de aquecimento pode oferecer.

Holz: ein ökologischer Brennstoff

Holz ist eine erneuerbare Energiequelle, die den Anforderungen des 21. Jahrhunderts an Energiegewinnung und Umweltschutz gerecht wird.

Ein Baum wächst durch Sonnenlicht, Wasser, Mineralsalze und Kohlendioxid. Auf diese Weise speichert er im Laufe seines Lebens Sonnenenergie und stellt uns Sauerstoff zum Atmen zur Verfügung.

Die Menge an CO₂, die beim Verbrennen von Holz abgegeben wird, entspricht der beim natürlichen Zerfall freigesetzten Menge. Es handelt sich also um eine Energieform, die sich in den natürlichen Kreislauf von Jahrtausenden einfügt. Die Verbrennung von Holz führt nicht zur Erhöhung des Kohlendioxid-Anteils in der Atmosphäre und stellt eine ökologische Energieform dar, die nicht zum Treibhauseffekt beiträgt.

Unsere Öfen ermöglichen ein sauberes und druckstandsreies Verbrennen von Holz. Holzasche ist ein hochwertiger, mineralreicher Dünger. Durch den Kauf eines Holzofens tragen Sie zum Schutz der Umwelt bei und erhalten eine kostengünstige Heizung, die in Ihrem Heim wie keine andere Heizungsart für ein behagliches und romantisches Ambiente sorgt.

USAGE AND MAINTENANCE INSTRUCTIONS

You have purchased a PANADERO product. Apart from correct maintenance, our woodstoves require an installation strictly in accordance with present legislation. Our products comply to the EN 13229 European norm, however it is very important for you to know how to correctly use your woodstove following the recommendations we set out. **For this reason, before installing our product you must read this manual carefully and follow the usage and maintenance instructions.**

The insert transmits warmth twofold: first by radiation warmth through the big surface of the vitroc ceramic glass and second by convection warmth. The convection warmth is generated by recuperating the warmth generated on the outer walls of the combustion chamber and by ways of leaving a small area around the fireplace warm air streams are created which exit the insert through a grill at the front.

INSTALLATION

You have purchased a wood burning stove with a vermiculite insulated combustion chamber. Do not remove the vermiculite boards!!!!

IMPORTANT: The installation of this insert has to be done by a qualified professional. All local regulations, including those referring to National and European standards, need to be complied with when installing the insert.

SMOKE PIPE

- The insert may not be installed into a chimney system shared with other appliances.
- Install the tube connections carefully, the connections should be sealed with a refractory putty to prevent soot from falling through the joints, until you reach the exterior exit. Connect the first pipe of the smoke outlet to the insert with a minimum 40 mm overlap.
- The installation of the smoke outlet must be as vertical as possible, avoiding the use of joints, angles and deviations that could cause a malfunction of the insert.
- In the smoke outlet is via tubing only, at least three meters of vertical tubing are recommended.
- It is recommended to put a hat on the last tube in case it reaches the exterior of your home.

PLACEMENT

- The insert has to be installed at a site that supports its heavy weight and everything surrounding it must be of noncombustible material and/or be well insulated.
- You must foresee accessibility for the cleaning of the insert, flue and chimney.
- While the insert is functioning keep anything away from it that could be damaged by heat like furniture, draperies, paper, clothing,... You should keep a minimum safety distance of 60cm.
- This insert must be installed in a well ventilated area. We recommend you have at least one window that can be opened in the room where the insert will be installed.

INSTALLATION

- The lower part of the insert needs to have a direct air entrance, from the inside or outside, with a size of at least 450 cm²
- It is recommended to install a vent in the area between the roof and the top of the fire place, isolating all areas close (to improve the sealing), in order to exploit the heat of convection. To do so leave a minimum spacing of 50 mm around the fireplace to create the convection chamber.
- Before installing the insert it s recommended to take out all its loose interior parts to avoid breakage, and once placed at its final site reinstall all the interior parts.
- Once positioned, perform a functional test before final embedment. It s recommended to embed the fireplace from the bottom upwards.
- The masonry must not touch the upper part of the fireplace, allow a minimum of 5mm. space to prevent the the creation of fissures in the upper wall due to expansion of the metal.

FUEL

- Use only dry wood with a maximum moisture content of 20%. Wood with a moisture content higher than 50 or 60% does not heat and combusts very badly, and creates a lot of tar, releases excessive amounts of vapour and deposits excess sediments onto the device, glass and smoke outlet.
- The fire should be lit using special fire lighters, or paper and small pieces of wood. Never try to light the fire using alcohol or similar products.
- Do not burn domestic rubbish, plastic materials or greasy products that can pollute the environment and lead to risks of fire due to obstruction of the pipes.

FUNCTION

- **It is normal for smoke to appear during the first few uses of the insert, as certain components of the heat-resistant paint burn whilst the pigment of the actual device is fixed. Therefore the room should be aired until the smoke disappears.**
- The device is not designed to function with the door open under any circumstances.
- The device is intended to function intermitently with intervals for recharging the fuel.
- For the lighting process of the device it is recommended you use paper, fire lighters or small sticks of wood. Once the fire starts to burn, add two logs of wood each weighing 1 to 1'3 Kg. as a first initial charge. In this lighting process the air inlets of the device must be kept completely open. Once the fire is more intense, close the door completely (if open) and regulate the intensity of the fire by closing and opening the air inlets.
- In order to achieve the stated nominal heat output of this device a total quantity of 1.93Kg. of wood must be placed inside at intervals of 45 min.
In any instance a charge of fuel must not be added to the device until the previous charge has been burnt, leaving only a basic fire bed which is enough to light the next charge but no stronger.
- It is normal for the seal of the glass door panel to melt with use. Even though the device can function without this seal, it is recommended that you replace it seasonally.
- **When adding insert or when taking out the ash pan, some of the ashes may fall on the exterior of the stove. Please turn the switch to 0 or I before opening the door, as to avoid**

the fan from taking in the ashes and blowing them through the stove. Once the door is closed, you can turn the switch to any position you want.

- The lower drawer can be removed in order to clear out ash. Empty it regularly without waiting for it to fill up too much, to avoid the grill becoming damaged. Take care with the ash which may still be hot up to 24 hours after the device has been used.
- Do not open the door abruptly in order to avoid smoke being released, and never open it without opening the air draught beforehand. Open the door only in order to put in the appropriate fuel.
- The glass, handles and cassette in general may reach very high temperatures. Do not expose yourself to risks of burns. When handling metal pieces, use the glove provided with the stove.
- Keep children away from the device.
- If you have trouble lighting the device (due to cold weather, etc.) it can be lit with folded or scrunched up paper which is easier to light.
- In case of the fireplace becoming too hot, close the air draughts to reduce the intensity of the fire.
- In case the device does not work properly, close the air inlets and contact the manufacturer.

MAINTENANCE

- It is advisable to clean the glass door panel periodically to avoid blackening by soot deposits. Professional cleaning products are available for this. Never use water.
- Never clean the device while it is in use.
- It is also important to clean the smoke outlet tubing periodically and check there are no blockages before relighting fuel after a long period of non-use. At the start of each season a professional should carry out a revision of the installation.
- At the start of every season a professional should clean your installation.
- In the event of a fire in the smoke outlet, close all air draughts if possible and contact the authorities immediately.
- Any replacement part which you may need must be recommended by us.
- The fiberglass cord used for the pints may degrade over time. If this happens, you will have to replace it with a new fiberglass tape.

GUARANTEE

This is a high quality fireplace, manufactured with great care. Even so, if any defect is found please first contact your distributor. If they are unable to solve the problem they will contact us and send us the device if necessary. Our company will replace any faulty parts free of charge up to five years from the date of purchase. We will not charge for repair work, however any transport costs have to be paid by the client.

Since this apparatus has been tested by a homologated laboratory the following parts are NOT covered by warranty:

- Glass
- Vermiculite
- Internal grate
- Door handle, air-inlet knobs, etc.

In the interior of the packaging, you will find a quality control slip. We request that you send this to your distributor in case of any claim.

Since this device has been tested in a homologated laboratory and since we check our devices a full 100%, making sure that the electric wiring operates correctly before shipping, the fan and the electric wiring are not covered by our warranty.

PROPERTIES OF THE FAN

This model is equipped with a tangential fan (170 m³/h). It takes the air in the lower part to circulate in the woodstove and share it out from the top part.

The fan has a thermostat to regulate the temperature. It starts to 50°C to prevent overheating


The woodstove has an electric switch with three positions to regulate the hot air flow rate.

- In position 0, the fan is off but if the temperature reach 50°C, the thermostat let the fan starting, on the position I
- In position I, the fan reach 60% of the maximum speed.
- In position II, the fan reach the maximum speed.

IMPORTANT: The fan must be ALWAYS connected to the network to prevent overheat to deterioration

MEASUREMENTS AND CHARACTERISTICS

- Height.....	612 mm	- Nominal heat output	9.8 kW
- Width	756 mm	- Energy efficiency	80.7 %
- Depth.....	539 mm	- CO emission	0.10 %
- Weight.....	139 Kg	- Minimum flue draught for nominal heat output.....	12 P a
- Firewood entrance.....	600 x 370 mm	- Flue gas mass flow	7.76 g/s
- Smoke outlet	150 mm	- Flue gas temperature	233 °C
- Cast iron grill		- Distance to adjacent combustible materials.....	
- Paint, resistant up to 800 °C			Side 60 cm
- Vitro-ceramic glass, 750 °C			Back 60 cm
- Firewood up to 80 cm long			Front 70 cm
		- Heating volume (aprox.)	290 m ³

 EN 13240: 2001 & A2: 2004	H I J O D E M I G U E L PANADERO P.I. CAMPOLLANO AVENIDA 5ª, 13-15 02007 ALBACETE - SPAIN
	WOODSTOVE/ POËLE A BOIS/KAMINOFEN.....19 FREESTANDING ROOMHEATER FIRED BY SOLID FUEL/POËLE INDEPENDANT A COMBUSTIBLE SOLIDE UNABHÄNGIGER OFEN FÜR FESTBRENNSTOFFE HB / CB / LMH-80 / LMI-80
CERTIFICATE/RAPPORT D'ESSAI 17/15468-2150 39-13896/1/T	DECLARATION OF PERFORMANCE/DECLARATION DES PERFORMANCES/LEISTUNGSERKLÄRUNG "19015/ 19040 / 19016 / 19041"
NOTIFIED BODY/L'ORGANISME NOTIFIÉ/NOTIFIZIERTEN STELLE 0370 1015	Thermal output/Puissance calorifique/Nennleistung.....9.8 kW Energy efficiency/Rendement énergétique/Wirkungsgrad 80.7 % Emission of CO in combustion products/ Emission de CO par les produits de combustion 0.10 % Co-Emission der Verbrennungsprodukte
Flue gas temperature/Temperatures des produits de combustion. 233 °C Abgastemperatur	Distance to adjacent combustible materials/ Back 60 cm Distance par rapport aux matériaux combustibles Side 60 cm Mindestabstand zu brennbaren Materialien Front 70 cm
Dust concentration at 13% O2 Concentration de poussières à 13% d'O2 30 mg/Nm ³ Feinstaub bei 13% O2	Fuel types Firewood and briquetted wood Type de combustible Bois et briquettes Brennstoffe Brennholz und Holzbriketts
Serial Number/Numéro de série/Seriennummer	

INSTRUCTIONS D'UTILISATION ET D'ENTRETIEN

Vous venez d'acquérir un produit de la marque PANADERO, nos foyers non seulement requièrent un entretien adéquat mais également une installation conforme à la législation en vigueur. Nos produits sont conformes à la norme européenne EN 13229 mais il est très important que le consommateur sache utiliser correctement son foyer selon les conseils que nous vous indiquons. **Pour cette raison, avant d'installer notre produit vous devrez lire rigoureusement ce manuel et suivre nos instructions d'utilisation et d'entretien.**

Il y a deux formes de transmission de la chaleur avec le foyer: d'une part, à travers la grande superficie de la vitre vitrocéramique nous pouvons profiter de la chaleur de radiation, et d'autre part, il y a la chaleur générée par les côtés du foyer que nous pouvons récupérer grâce à une installation optimale, en laissant un espace autour du foyer et en créant ainsi des courants d'air, profitant ainsi de la chaleur de convection.

INSTALLATION

- Vous avez acheté un poêle à bois dont la chambre à combustion est revêtue de vermiculite. Ne pas enlever ces pièces en vermiculite.
- Attention: l'installation de ce foyer doit être effectuée par un professionnel qualifié. Toutes les réglementations locales, y compris celles faisant référence aux normes nationales ou européennes, doivent être respectées lors de l'installation du foyer.

Conduit de Fumée

- Le foyer ne doit pas être installé dans un système de cheminée partagé avec d'autres appareils.
- Installer plusieurs tuyaux bien connectés, scellés avec de la pâte réfractaire afin d'éviter que de la suie ne coule, jusqu'à l'extérieur et connecter le premier tuyau à la sortie de fumée du foyer avec un emboîtement de minimum 40mm.
- L'installation doit être la plus verticale possible, en évitant l'utilisation de coudes ou de déviations qui pourraient causer un mauvais fonctionnement du foyer.
- Dans le cas où l'installation soit seulement munie de tubes, il faudra au moins 3 mètres linéaires.
- Il est vivement recommandé d'installer un chapeau sur le dernier tuyau.

Installation

- L'appareil doit être installé sur un sol ayant une capacité de portée adéquate et tout ce qui l'entoure doit être composé de matériel non inflammable et/ou bien isolé.
- Il est important de prévoir le facile accès pour le nettoyage de l'appareil, du conduit de fumée et de la cheminée.
- Pendant le fonctionnement, éloignez du foyer, toute matière pouvant être altérée par la chaleur: meubles, rideaux, papiers, vêtements, etc. La distance de sécurité minimum à respecter est de 60 cm.
- Le foyer doit être installé dans une pièce aérée et bien ventilée. Il est conseillé d'avoir au moins une fenêtre qui puisse s'ouvrir, dans la même pièce où sera installée le foyer.

MONTAGE

- La partie inférieure du foyer doit avoir une entrée directe d'air, d'au moins 450 cm² .
- Il est recommandé d'installer une grille de ventilation dans la zone située entre le toit et la partie supérieure du foyer, isolant ainsi toutes les zones proches (pour améliorer l'étanchéité), afin de profiter de la chaleur de convection. Pour cela, laissez un espace d'au moins 50 mm autour de l'appareil pour créer la chambre de convection.
- Avant d'installer le foyer il est conseillé d'enlever toutes les pièces détachées de son intérieur afin d'éviter qu'elles ne se cassent, et ensuite de les remettre en place une fois le foyer installé.
- Une fois en place, faire un premier essai de fonctionnement et commencer alors l'encastrement de celui-ci. Il est recommandé de le faire du bas vers le haut.

COMBUSTIBLE

- Utilisez comme combustible du bois sec, en veillant à ce qu'il ne dépasse pas 20% le degré d'humidité. Sachez, qu'un bois ayant 50% ou 60% d'humidité ne chauffe pas, il a une très mauvaise combustion, il crée beaucoup de goudron, il dégage une vapeur d'eau excessive et il produit des sédiments excessifs dans l'appareil, la vitre et les conduits de fumée. Vous pouvez également utiliser des briquettes de bois pressé.
- Allumez le feu avec des pastilles prévues à cet effet, ou avec l'aide de papier et brindilles. N'utilisez jamais d'alcool à brûler ou de produits similaires.
- Ne brûlez pas de déchets ménagers, matières plastiques ou de produits gras qui polluent l'environnement et provoquent des risques de feu de cheminée par encrassement du conduit.

FONCTIONNEMENT

- **Lors des premiers allumages, il est normal que de la fumée se dégage. Cela est dû à ce que certains composants de la peinture anti-calorifique brûlent en même temps que s'adhère le pigment à l'appareil. Nous conseillons d'aérer abondamment la pièce jusqu'à ce que cela disparaisse.**
- Le foyer n'est pas prévu pour fonctionner avec la porte ouverte.
- Cet appareil est prévu pour fonctionner de manière discontinue avec des temps de recharge de combustible.
- Pour l'allumage du foyer il est recommandé d'utiliser du papier, des pastilles d'allumage et des brindilles. Une fois que le feu commence à fonctionner, ajoutez pour la première charge deux morceaux de bois de 1 à 1'3 Kg. Pendant cette phase d'allumage, les tirages d'air doivent être complètement ouverts.
- Pour atteindre la puissance nominale de l'appareil vous devez utiliser une quantité de 1.93 Kg. de bois en intervalles de 45 min. Vous ne devez pas recharger de combustible votre appareil avant que la charge antérieure ne se soit consommée et qu'il ne reste seulement le lit de braises nécessaire à la reprise de la combustion.
- Il est normal que le joint en fibre de verre se désintègre. Bien que le foyer puisse fonctionner sans le joint, nous vous recommandons de le changer chaque saison.
- Le tiroir sert à retirer les cendres. Videz le régulièrement sans attendre qu'il se remplisse trop afin d'éviter que se détériore la grille.
- Sachez que jusqu'à 24 heures après, les cendres peuvent être encore chaudes.
- N'ouvrez pas la porte du foyer brusquement afin d'éviter que la fumée ne sorte. N'ouvrez jamais la porte sans avoir ouvert avant le registre. Ouvrez la porte seulement quand vous devez charger le foyer avec le combustible adéquat.

-Au moment de charger le bois ou lorsque les cendres sont retirées, il se peut que des cendres tombent sur le cadre. Pour éviter que ces cendres ne soient absorbées par le ventilateur et quelles ne soient expulsées par la partie supérieure, mettre le ventilateur sur la position 0 ou I avant d'ouvrir la porte. Une fois que la porte fermée, mettre sur la position désirée.

- La vitre, les pièces ajoutées et l'appareil en general peuvent atteindre des températures tres élevées, attention aux risques de brûlures lors de l'utilisation. Pour manipuler ces pièces, utilisez le gant fourni avec le foyer.
- Tenez éloignés les jeunes enfants pour éviter des brûlures lors de l'utilisation.
- Si le démarrage du foyer cause certains problèmes (Inter-saison, cheminée froide...). Vous pouvez allumer un feu d'appel avec du papier froissé ce qui aidera à mettre en marche le foyer.
- Dans le cas de surchauffe, fermez le tirage d'air pour réduire l'intensité du feu.
- Dans le cas de mauvais fonctionnement, fermez le tirage d'air et consultez le fabricant.

ENTRETIEN

- Un nettoyage quotidien de la vitre permet d'éviter le dépôt de suie sur le verre. Utilisez pour cela un nettoyant spécial vendu dans le commerce. N'utilisez jamais d'eau. Ne tentez jamais de nettoyer votre appareil en fonctionnement.
- Il est aussi très important de nettoyer régulièrement les conduits de fumée de l'appareil et vous devrez vous assurer l'absence de blocage avant de remettre en marche l'appareil après une période prolongée de non allumage.
- Chaque début de saison, il est important qu'un professionnel réalise l'entretien de votre installation.
- Dans le cas d'un incendie de cheminée, si vous le pouvez, fermez les tirages d'air et contactez immédiatement les autorités.
- Toute pièce de rechange doit être recommandée par le fabricant.
- La fibre de verre qui est utilisée pour les joints peut se dégrader avec le temps. Dans le cas où cela se produirait, il faudrait alors procéder à son remplacement.

GARANTIE

Ce foyer est un produit de qualité qui a été fabriqué avec le plus grand soin. Si malgré tout, vous constatiez une anomalie, commencez par demander conseil au revendeur. Si ce dernier n'est pas en mesure de vous solutionner le problème, il nous contactera et, si la situation l'exige nous enverra l'appareil. Le délai de garantie étant de cinq ans à compter de la date d'achat, nous nous engageons à remplacer gratuitement les pièces défectueuses pendant ce délai. Néanmoins les frais de transport sont à la charge du client.

Étant donné que ce dispositif a été testé par un laboratoire agréé, ne sont pas couverts par la garantie les pièces suivantes:

- Vitre
- La grille en fonte
- Vermiculite
- Poignées (de la porte et tirage)

A l'intérieur de l'emballage se trouve une fiche de contrôle de qualité, nous vous prions de la remettre au revendeur en cas de réclamation.

Ce ventilateur a été testé par un laboratoire homologué, nous avons ensuite réalisé un contrôle de qualité de chaque appareil fabriqué.

Nous vérifions dans nos installations que l'ensemble électrique fonctionne correctement avant d'envoyer la marchandise, la garantie ne couvre donc pas l'ensemble électrique (ventilateur et câbles).

CARACTÉRISTIQUES DES VENTILATEURS.

Ce modèle est équipé d'un ventilateur tangential qui a pour débit 170 m³/h, il puise l'air de la partie inférieure pour qu'il circule dans tout l'appareil et répartit l'air chaud depuis la partie supérieure.

Le ventilateur est équipé d'un thermostat qui régule sa température afin qu'il ne surchauffe pas, il se met donc en marche automatiquement à partir de 50°C.


Le poêle à bois dispose d'un interrupteur munit de trois positions pour réguler le débit d'air chaud qui sort de l'appareil.

- En position 0, le ventilateur est éteint mais si la température atteint les 50°C, le thermostat permet au ventilateur de se mettre en marche, sur la position I.
- En position I, le ventilateur atteint 60% de la vitesse maximale.
- En position II, le ventilateur atteint la vitesse maximale.

IMPORTANT: Le ventilateur devra être TOUJOURS connecté au réseau électrique, afin d'éviter qu'il ne surchauffe et se détériore.

MESURES ET CARACTERISTIQUES

- Hauteur.....	612 mm	- Puissance nominale.....	9.8 kW
- Largeur.....	756 mm	- Rendement.....	80.7 %
- Profondeur.....	539 mm	- Emission de CO.....	0.10 %
- Poids.....	139 Kg	- Tirage minimum de la cheminée pour puissance nominale.....	12 P a
- Porte entrée bois.....	600 x 370 mm	- Débit massique des fumées.....	7.76 g/s
- Sortie fumée.....	150 mm	- Température des fumées.....	233 °C
- Grille en fonte		- Distance par rapport aux matériaux combustibles adjacents	
- Peinture résistante à 800 °C			Latérale 60 cm
- Vitre vitrocéramique 750 °C			Arrière 60 cm
- Bûches jusqu'à 80 cm			Façade 70 cm
		- Volume de chauffe (aprox.).....	290 m ³

 EN 13240: 2001 & A2: 2004	HIJO DE MIGUEL PANADERO P.I. CAMPOLLANO AVENIDA 5ª, 13-15 02007 ALBACETE - SPAIN
	WOODSTOVE/ POÊLE A BOIS/KAMINOFEN.....19 <small>FREESTANDING ROOMHEATER, FIRED BY SOLID FUEL/POÊLE INDEPENDANT A COMBUSTIBLE SOLIDE UNABHÄNGIGER OFEN FÜR FESTBRENNSTOFFE</small> HB / CB / LMH-80 / LMI-80
CERTIFICATE/RAPPORT D'ESSAI..... 17/15468-2150 39-13896/1/T	
DECLARATION OF PERFORMANCE/DECLARATION DES PERFORMANCES LEISTUNGSERKLÄRUNG "19015/ 19040 / 19016 / 19041"	
NOTIFIED BODY/L'ORGANISME NOTIFIÉ/NOTIFIZIERTEN STELLE.....0370 1015	
Thermal output/Puissance calorifique/Nennleistung.....9.8 kW	
Energy efficiency/Rendement énergétique/Wirkungsgrad 80.7 %	
Emission of CO in combustion products/ Emission de CO par les produits de combustion..... 0.10 % Co-Emission der Verbrennungsprodukte	
Flue gas temperature/Temperatures des produits de combustion. 233°C Abgastemperatur	
Distance to adjacent combustible materials/ Back 60 cm Distance par rapport aux matériaux combustibles.....Side 60 cm Mindestabstand zu brennbaren Materialien Front 70 cm	
Dust concentration at 13% O ₂ Concentration de poussières à 13% d'O ₂ 30 mg/Nm ³ Feinstaub bei 13% O ₂	
Fuel types Firewood and briquetted wood Type de combustible Bois et briquettes Brennstoffe Brennholz und Holzbriketts	
Serial Number/Numéro de série/Seriennummer	

INSTRUCCIONES DE UTILIZACIÓN Y DE MANTENIMIENTO

Acaba de adquirir un producto de la marca PANADERO, además de un mantenimiento correcto, nuestras estufas requieren una instalación conforme a la legislación en vigor. Nuestros productos son conformes a la norma europea EN 13229 pero es muy importante para el consumidor que sepa utilizar correctamente su hogar según las recomendaciones que indicamos. **Por esta razón antes de instalar nuestro producto deberá leer rigurosamente este manual y seguir nuestras instrucciones de utilización y de mantenimiento.**

En el hogar, la forma de transmitir el calor es doble, por un lado a través de la gran superficie de cristal vitrocerámico se aprovecha el calor de radiación y por otro lado está el calor generado en las paredes del hogar que podremos recuperar haciendo una instalación óptima, dejando espacio alrededor del hogar y creando corrientes de aire que lo rodeen, aprovechando así el calor de convección.

INSTALACIÓN

- Usted ha comprado una estufa de leña concebida con la cámara de combustión revestida de vermiculita.

ATENCIÓN: La instalación de este hogar debe ser efectuada por un profesional cualificado. Todas las reglamentaciones locales, incluidas las que hacen referencia a normas nacionales o europeas, han de cumplirse cuando se instala el hogar.

Conducto de Humos:

- El hogar no debe instalarse en un sistema de chimenea compartido con otros aparatos.
- Poner un conjunto de tubos bien conectados, sellados con masilla refractaria para evitar que caiga el hollín hasta el exterior, y conectar el primer tubo a la salida de humos del hogar con un mínimo de 40mm de encaje.
- La instalación del conducto de humos debe ser lo más vertical posible, evitando la utilización de codos y desviaciones que podrían causar el mal funcionamiento del hogar.
- Una instalación que se realice sólo con tubos, deberá tener 3 metros lineales como mínimo.
- Es muy recomendable poner un sombrerete sobre el último tubo.

Colocación:

- Se debe colocar en un sitio que soporte el gran peso del hogar y todo lo que le rodea debe ser material no combustible y/o estar bien aislado.
- Es necesario tener previsto la accesibilidad para la limpieza del hogar, del conducto de humos y de la chimenea.
- Mientras el hogar esté funcionando, aleje de él cualquier cosa que pueda ser alterada por el calor: muebles, cortinas, papel, ropa, ... Se debería guardar una distancia de seguridad mínima de 80cm.
- Este hogar debe ser instalado en un local bien ventilado. Recomendamos que haya por lo menos una ventana que se pueda abrir en la habitación donde estará instalado el hogar.

MONTAJE

- **La parte inferior del hogar tiene que tener una entrada directa de aire, bien del interior o del exterior, de un tamaño no inferior a 450 cm²**
- Es recomendable la instalación de una rejilla de ventilación en la zona situada entre el techo y la parte superior del hogar, aislando todas las zonas próximas (para mejorar la estanqueidad), con el fin de aprovechar el calor de convección. Para ello dejar un espacio mínimo de 50 mm alrededor del aparato para crear la cámara de convección.
- Antes de instalar el hogar se recomienda sacar todas las piezas móviles del interior para evitar su rotura, y una vez colocado en su lugar definitivo volver a montar el interior de este.
- Una vez colocado, realizar un ensayo de funcionamiento previo y ya comenzar el empaquetamiento de éste, recomendable desde abajo hacia arriba.
- La albañilería no debe apoyarse encima del hogar, se debe dejar un mínimo de 5mm para evitar que las dilataciones del metal creen fisuras en la pared superior.

COMBUSTIBLE

- Utilice como combustible leña seca, procurando que no exceda de un 20% el grado de humedad. Tenga en cuenta que una leña con un 50% ó un 60% de humedad no calienta, tiene una combustión muy mala, crea mucho alquitrán, desprende un vapor de agua excesivo y produce sedimentos excesivos en el aparato, cristal y conducto de humos. También puede utilizar briquetas de leña prensada.
- Encienda el fuego con pastillas existentes para tal fin o con la ayuda de papel y leña menuda. No utilice nunca para el encendido alcohol o productos similares.
- No queme basuras domésticas, materias plásticas o productos grasos que contaminen el medioambiente y puedan provocar riesgos de incendios por obstrucción del conducto.

FUNCIONAMIENTO

- **Durante los primeros encendidos es normal que se produzca humo. Esto se debe a que se queman ciertos componentes de la pintura anticorrosiva al mismo tiempo que se adhiere el pigmento al hogar. Por ello se recomienda ventilar abundantemente la habitación hasta que esto desaparezca.**
- El hogar no está hecho para funcionar con la puerta abierta.
- El aparato está pensado para trabajar de forma intermitente con intervalos de recarga de combustible.
- Para el proceso de encendido de la estufa se recomienda utilizar papel, pastillas de encendido y pequeños palitos de leña. Una vez que el fuego comience a funcionar, agregar en la primera carga dos palos de 1 a 1'3 Kg. de peso. En este proceso de encendido los tiros de aire del hogar han de estar totalmente abiertos.
- Para conseguir la potencia nominal de este hogar, ha de colocar una cantidad de leña de 1.93 Kg. de peso en intervalos de 45 min.
No se debe recargar el aparato hasta que no se haya consumido la carga anterior y sólo quede la reserva de brasas.
- Es normal que con el uso la junta de fibra de vidrio del cristal se deshaga. Aunque el hogar pueda funcionar sin esta junta, se recomienda que cada temporada se reponga.
- El cajón inferior sirve para retirar las cenizas. Vaciarlo a menudo sin esperar que se llene demasiado para evitar que se estropee la parrilla, tenga cuidado con la ceniza ya que hasta 24 horas después puede seguir estando caliente.

- **Durante la carga de leña o retirada de cenizas, algo de ceniza puede caer sobre el marco, para evitar que esas cenizas las absorba el ventilador y las expulse por la parte de arriba, ponga el ventilador en posición 0 ó 1 antes de abrir la puerta. Una vez cerrada la puerta puede poner la posición que desee.**
- No abra la puerta del hogar de forma brusca con el fin de evitar la salida de humos. Nunca la manipule sin previamente abrir los tiros. Esta operación solo debe llevarse a cabo con el fin de recargar combustible.
- El cristal, los herrajes y el aparato en general pueden alcanzar temperaturas muy elevadas, cuidado con los riesgos de quemaduras. Para manipular dichas piezas, utilice el guante adjunto con la estufa.
- Mantener alejados a los niños para evitar quemaduras durante la utilización.
- Si el arranque plantea problemas (temporada intermedia, chimenea fría, etc.) se puede encender un fuego inicial con papel arrugado, lo que facilita la puesta en marcha del hogar.
- En el caso de sobrecalentamiento, cierre los tiros de aire para reducir la intensidad del fuego.
- En el caso de mal funcionamiento, cierre los tiros de aire y consulte al fabricante.

MANTENIMIENTO

- Conviene limpiar periódicamente el cristal para evitar que los restos de hollín lo ennegrezcan. En el comercio existen limpiadores especiales para ello. No utilice nunca agua. No intente nunca limpiar su hogar en funcionamiento.
- También es importante limpiar periódicamente los conectores de humos del aparato y deberá comprobar la ausencia de bloqueo antes de volver a encender el aparato después de un periodo prolongado de parada.
- Cada principio de temporada es importante que un profesional realice un mantenimiento de su instalación.
- En caso de incendio en la chimenea cierre los tiros de aire y contacte inmediatamente con las autoridades.
- Cualquier pieza de repuesto que necesite tiene que ser recomendada por nosotros.
- La fibra de vidrio que se utiliza en las juntas puede sufrir degradación con el tiempo. Si éste fuera su caso, en el momento que se produzca, deberá reemplazarlo por una nueva fibra de vidrio.

GARANTÍA

Este hogar es un producto de alta calidad, fabricada con gran esmero. Si, a pesar de ello, se produjera algún desperfecto, consulte primero con su distribuidor. Si él no puede solucionar el problema, se pondrá en contacto con nosotros y, si es necesario nos enviará el hogar. Nuestra empresa sustituye gratuitamente cualquier pieza defectuosa durante cinco años a partir de la fecha de compra. Los gastos de transporte, sin embargo, correrán por cuenta del cliente.

Puesto que este aparato ha sido testado por un laboratorio homologado NO están cubiertas por la garantía las siguientes piezas:

- Cristal
- Parrilla de fundición
- Vermiculita
- Herrajes

En el interior del embalaje, encontrará una ficha de control de calidad, rogamos la remiten al distribuidor en caso de reclamación.

Puesto que este aparato ha sido testado por un laboratorio homologado y realizamos un control de calidad del 100% de los aparatos fabricados, probando en nuestras instalaciones que el conjunto eléctrico funciona correctamente antes de ser enviado, la garantía no cubre dicho conjunto eléctrico (ventilador y cableado).

CARACTERISTICAS DEL VENTILADOR

Este modelo está equipado con un ventilador tangencial de caudal 170 m³/h que toma el aire frío de la parte inferior, este aire rodea el aparato y se calienta, y expulsa el aire caliente por las lamas de la parte superior.

El ventilador consta de termostato para regular su temperatura, de modo que no se sobrecaliente. Dicho termostato pone en funcionamiento el ventilador automáticamente a partir de 50°C,


La estufa dispone de un interruptor con tres posiciones para regular el caudal de aire caliente que sale de la estufa.

- En la posición 0 el ventilador está apagado, pero si la temperatura alcanza los 50°C, el termostato hace que el ventilador arranque y este en posición I de velocidad
- En la posición I, el ventilador está al 60% de la velocidad máxima.
- En la posición II, el ventilador está en su máxima velocidad.

IMPORTANTE: el ventilador deberá estar SIEMPRE conectado a la red eléctrica, para evitar que se averie por sobrecalentamiento.

MEDIDAS Y CARACTERISTICAS

- Alto	612 mm	- Potencia calorífica nominal	9.8 kW
- Ancho	756 mm	- Rendimiento	80.7 %
- Fondo	539 mm	- Emisión de CO	0.10 %
- Peso	139 Kg	- Tiro en la chimenea para potencia nominal	12 P a
- Puerta entrada leña	600 x 370 mm	- Caudal masico de los humos	7.76 g/s
- Salida humos	150 mm	- Temperatura de los humos	233 °C
- Parrilla de hierro fundido		- Distancia mínima a materiales combustibles	
- Pintura anticorrosiva resistente a 800 °C			Lateral 60 cm
- Vidrio vitrocerámico 750 °C			Trasera 60 cm
- Troncos hasta 80 cm.			Frontal 70 cm
		- Volumen de calefacción (aprox.)	290 m ³

	HIJO DE MIGUEL PANADERO P.I. CAMPOLLANO AVENIDA 5ª, 13-15 02007 ALBACETE - SPAIN
	EN 13240: 2001 & A2: 2004
WOODSTOVE/ POËLE A BOIS/KAMINOFEN.....19 FREE-STANDING ROOMHEATER FIRED BY SOLID FUEL/POËLE INDEPENDANT A COMBUSTIBLE SOLIDE UNABHÄNGIGER, OFFEN FÜR FESTBRENNSTOFFE	
HB / CB / LMH-80 / LMI-80	
CERTIFICATE/RAPPORT D'ESSAI.....17/15468-2150 39-13896/1/T	
DECLARATION OF PERFORMANCE/DECLARATION DES PERFORMANCES/LEISTUNGSERKLÄRUNG "19015/ 19040 / 19016 / 19041"	
NOTIFIED BODY/L'ORGANISME NOTIFIÉ/NOTIFIZIERTEN STELLE.....0370 1015	
Thermal output/Puissance calorifique/ Nennleistung.....9.8 kW	
Energy efficiency/Rendement énergétique/Wirkungsgrad 80.7 %	
Emission of CO in combustion products/ Emission de CO par les produits de combustion 0.10 % Co-Emission der Verbrennungsprodukte	
Flue gas temperature/Temperatures des produits de combustion. 233 °C Abgastemperatur	
Distance to adjacent combustible materials/ Back 60 cm Distance par rapport aux matériaux combustiblesSide 60 cm Mindestabstand zu brennbaren Materialien Front 70 cm	
Dust concentration at 13% O2 30 mg/Nm ³ Concentration de poussières à 13% d'O2 Feinstaub bei 13% O2	
Fuel types Firewood and briquetted wood Type de combustible Bois et briquettes Brennstoffe Brennholz und Holzbriketts	
Serial Number/Numéro de série /Seriennummer	

ONDERHOUDS- EN GEBRUIKSAANWIJZING

U hebt een product gekocht van het merk PANADERO. Naast het juiste onderhoud, vergen onze kachels een installatie conform de geldige wetgeving. Onze producten voldoen aan de Europese norm EN 13229, maar het is erg belangrijk dat de consument de kachel volgens de hierna genoemde aanbevelingen op juiste wijze weet te gebruiken. **Om die reden dient u deze handleiding vóór het installeren van ons product zorgvuldig te lezen en onze onderhouds- en gebruiksaanwijzingen in acht te nemen.**

De haard brengt op twee manieren warmte voort, aan de ene kant warmte door radiatie via het grote oppervlak van het vitrokeramische glas en aan de andere kant warmte door convectie. Van deze convectiewarmte kan geprofiteerd worden door een optimale installatie van de haard waarbij er een ruimte om de haard wordt vrijgelaten zodat er een warme luchtstroom om de haard wordt gecreeerd welke uw ruimte verwarmd.

INSTALLATIE

- U heeft een houtkachel gekocht met een brandkamer voorzien van vermiculiet.

Verwijder in geen geval deze stukken in vermiculiet uit de kachel.

Opgelet: De installatie van het toestel dient door een gekwalificeerde vakman te gebeuren.

Alle lokale regelgevingen, inclusief degene welke AAN nationale en Europese normen refereren, dienen in acht te worden genomen bij de installatie van het toestel.

POSITIE VAN HET ROOKKANAAL

- Het apparaat is niet geschikt om op een schoorsteensysteem dat met andere apparaten wordt gedeeld aan te sluiten
- Sluit de pijpen goed op elkaar aan tot aan de buitenkant. De pijpen dienen afgedicht te worden met vuurvaste kit om het vallen van roet te voorkomen. Sluit de eerste pijp met minimaal 40 mm overlapping aan op de pijpmond.
- De installatie dient zo verticaal mogelijk te zijn. Vermijd het gebruik van kniestukken en omleidingen.
- Wordt de installatie op een gemetselde schoorsteenpijp aangesloten, dan dient de afmeting van deze pijp niet zeer groot te zijn omdat anders de rook te veel afkoelt en omlaag zakt.
- Wordt de installatie alleen met pijpen uitgevoerd, dan dient deze constructie minimaal 3 strekkende meter lang te zijn.
- Het wordt aangeraden om een hoedje te plaatsen op de laatste pijp.

HET PLAATSEN VAN DE HAARD

- De haard moet op een plek geplaatst worden welke het grote gewicht van de haard kan dragen. Alles wat de haard omringt dient van niet brandbaar materiaal te zijn en/of ermee te worden geïsoleerd.
- De haard moet toegankelijk zijn voor de reiniging van het toestel zelf, van het rookkanaal en van de schoorsteen.
- Terwijl de haard brandt, dient al het hittegevoelig materiaal ervan en uit de omgeving te worden verwijderd: meubels, gordijnen, papier, kleding, etc. De minimale veiligheidsafstand tussen de haard en brandbare materialen is 60 cm.
- Het toestel dient in een goed geventileerd vertrek te worden geïnstalleerd. Wij raden aan dat er op zijn minst 1 raam aanwezig is dat geopend kan worden.

MONTAGE

- Het onderste gedeelte van de haard moet een directe luchttoegang hebben, van binnen- of buitenlucht, met een niet kleiner dan 450 cm²
- Het is wenselijk om een ventilatierooster te installeren tussen het plafond en het bovenste gedeelte van de haard, de omringende ruimte om de haard te isoleren om de dichtheid te bevorderen, om zodoende gebruik te kunnen maken van de convectiewarmte. Daarvoor moet men een ruimte van minimaal 50 mm om de haard heen vrij te houden om zo de convectieruimte te creëren.
- Voordat u de haard instaleert wordt aangeraden om alle losse delen uit het interieur van de haard te halen om schade aan deze delen te voorkomen. Zodra de haard geïnstalleerd is kunt u deze onderdelen op hun definitieve plek monteren.
- Als de haard geplaatst is wordt aangeraden om eerst een proef te doen waarna de haard definitief geïnstalleerd kan worden, bij voorkeur van beneden naar boven.
- Het stukwerk mag niet vast tegen de haard worden aangebracht. Er moet minimaal een kier van 5 mm gelaten worden zodat scheurtjes in de muur door uitzetting van het metaal worden voorkomen.

BRANDSTOF

- Gebruik droog brandhout als brandstof en zorg ervoor dat de vochtigheidsgraad ervan niet hoger dan 20% is. Houd er rekening mee dat een stuk brandhout met een vochtigheidsgraad van 50% of 60% niet verwarmt, zeer slecht brandt, veel teer voortbrengt, overdreven veel waterdamp uitstoot en overmatige afzettingen op het apparaat, het glas en het rookkanaal veroorzaakt. Ook kunnen geperste houtbriketten worden gebruikt.
- Steek het vuur aan met aanmaakblokjes of met behulp van papier of dunne takjes. Gebruik voor het aansteken van het vuur nooit alcohol of soortgelijke producten.
- Verbrand geen huisvuil, plastic materiaal of vette producten die het milieu vervuilen en brandgevaar kunnen veroorzaken door verstopping van het rookkanaal.

WERKING

- **De eerste keren dat u het toestel gebruikt is het normaal dat er rook ontstaat. Dit komt doordat er bepaalde componenten van de hittevaste verf verbranden en tegelijkertijd blijft het pigment aan de kachel plakken. Daarom wordt aanbevolen om de kamer ruimschoots te ventileren totdat de rook verdwijnt.** brandhout in
- Het toestel dient niet met open deur te werken. het apparaat te worden gelegd. De
- Het apparaat is ervoor bestemd om niet de hele tijd, met tussentijds bijvullen van brandstof, te functioneren.
- Voor het aansteken van het toestel wordt aanbevolen om papier, aanmaakblokjes en dunne takjes of stukjes brandhout te gebruiken. Zodra het vuur begint te branden, dienen twee houtblokken van 1 à 1'3 Kg. te worden toegevoegd. Bij het aanmaken moeten de trekkleppen van het toestel geheel geopend zijn.
- Om het nominale vermogen van dit toestel te bereiken, dient om het 45 min. ongeveer 1.93 kg. brandhout in het apparaat te worden gelegd. De houtblokken dient u iets van elkaar gescheiden, horizontaal neer te leggen, zodat ze goed kunnen branden. Het apparaat dient niet bijgevuld te worden, totdat de vorige lading opgestookt en alleen nog gloeiend houtskool over is.
- Het is normaal dat de glasvezelpakking van het glas na verloop van tijd losraakt. Hoewel het toestel zonder deze pakking ook kan functioneren, wordt aanbevolen om haar elk seizoen te vervangen.

-Bij het bijvullen van het hout, of het bij het verwijderen van de aslade, kan het voorvallen dat er assen vallen op het kader. Gelieve, vooraleer de deur te openen, de schakelaar op 0 of I te zetten om te vermijden dat deze assen door de ventilator opgenomen worden en doorheen de kachel geblazen worden. Eens de deur gesloten es, kan u de schakelaar en de stand zetten die u wenst.

- De onderste la is bedoeld voor het verwijderen van de as. Leeg de asla vaak en wacht niet totdat hij te vol zit om te voorkomen dat het rooster kapot gaat. Wees voorzichtig met de as. Deze kan na 24 uur nog steeds warm zijn.
- Om ervoor te waken dat er geen rook vrijkomt, is het beter om de deur van het apparaat niet bruusk open te maken. Open de deur van het toestel nooit zonder eerst de trekklep te hebben geopend. Open de deur alleen om het toestel met de geschikte brandstof bij te vullen.
- Het glas, de messing onderdelen en het apparaat in het algemeen kunnen zeer hoge temperaturen aannemen. Wees voorzichtig. Verbrandingsgevaar! Gebruik de bij het toestel meegeleverde want om die onderdelen te hanteren.
- Houd kinderen van het toestel verwijderd om te voorkomen dat ze zich tijdens het gebruik kunnen verbranden.
- Als bij het opstarten problemen ontstaan (tussenseizoen, koude schoorsteen, etc.), dan kan vuur worden aangestoken met gekreukeld papier. Hiermee wordt de inbedrijfstelling van het toestel vereenvoudigd.
- Sluit bij oververhitting de trekkleppen om de intensiteit van het vuur te reduceren.
- Sluit bij een slechte werking de trekkleppen en raadpleeg de fabrikant.

ONDERHOUD

- Het is gewenst om het glas regelmatig schoon te maken om te voorkomen dat het zwart wordt van de roetaanzetting. Er zijn speciale reinigingsmiddelen hiervoor in de handel. Gebruik nooit water. Probeer nooit een werkende kachel schoon te maken.
- Ook is het belangrijk om de rookkanalen van het apparaat regelmatig schoon te maken en te controleren of deze niet verstopt zijn, alvorens het apparaat, nadat deze een lange periode niet is gebruikt, opnieuw aan te maken. Aan het begin van elk seizoen is het belangrijk dat een vakman de installatie een onderhoudsbeurt geeft.
- Bij schoorsteenbrand, indien mogelijk, de trekkleppen dichtdoen en onmiddellijk contact opnemen met de autoriteiten.
- Elk reserveonderdeel dat u nodig heeft dient door ons te zijn aanbevolen.
- Het koord voor het glas is onderhevig aan slijtage. Indien dit het geval is, dient u dit te vervangen voor een nieuw koord.

GARANTIE

Dit toestel is een met zorg vervaardigd product van topkwaliteit. Als er desondanks schade ontstaat, neem dan eerst contact op met uw leverancier. Als hij het probleem niet kan oplossen, zal hij contact met ons opnemen en ons zo nodig het toestel toezenden. Ons bedrijf vervangt de eerste vijf jaar na de aankoopdatum elk defect onderdeel gratis. De verzendkosten zijn echter voor rekening van de klant.

Aangezien dit apparaat is getest door een gecertificeerd laboratorium worden de volgende onderdelen niet gedekt door de garantie:

- Glas
- Gietijzeren rooster
- Vermiculiet
- Handvat, Knoppen, etc

In de verpakking vindt u een kwaliteitscontroleblad. Wij verzoeken u dit in geval van een klacht naar de leverancier te sturen.

Aangezien dit apparaat getest is geweest in een gehomologeerd laboratorium en aangezien we onze gefabriceerde apparaten 100% controleren, nakijkend of het elektrisch geheel correct werkt vooraleer het te verzenden, valt de ventilator in kwestie en het elektrisch geheel niet onder garantie.

EIGENSCHAPPEN VAN DE VENTILATOR

Dit model is uitgerust met een tangentiaalventilator met een debiet van 170 m³/h, die koude lucht van onderaan de kachel aanvoert, waarna deze door de kachel geleid wordt, opgewarmd wordt en uiteindelijk door de openingen vanboven de kamer ingeblazen wordt.


Een thermostaat verbonden met de ventilator regelt de temperatuur zodat deze niet oververhit. Bovendien zorgt de thermostaat ervoor dat de ventilator vanaf 50°C automatisch in werking treedt die uit de kachel komt.

- In positie 0 staat de ventilator af, tenzij de temperatuur boven de 50°C komt, waarbij de thermostaat de ventilator automatisch in werking stelt en in positie 1 komt te staan.
- In positie I draait de ventilator op 60% van de maximale snelheid.
- In positie II draait de ventilator op volle snelheid.

Het is uitermate belangrijk dat de ventilator steeds op het elektriciteitsnetwerk aangesloten is, teneinde oververhitting te voorkomen.

AFMETINGEN EN EIGENSCHAPPEN

<ul style="list-style-type: none"> - Hoogte..... 612 mm - Breedte..... 756 mm - Diepte..... 539 mm - Gewicht..... 139 Kg - Deurtje houtinvoer..... 600 x 370 mm - Rookafvoer..... 150 mm - Gietijzeren rooster - Hittevastе verf, bestand tegen 800 °C - KerAmsch glAs 750 °C - HoutBlokken tot 80 cm 	<ul style="list-style-type: none"> - Nominaal calorisch vermogen..... 9.8 kW - Rendement..... 80.7 % - CO-emissie..... 0.10 % - Minimale schoorsteentrek voor nominaal vermogen..... 12 P a - Rookgasdebiet..... 7.76 g/s - Rookgastemperatuur..... 233 °C - Minimale afstand brandbare materialen <li style="text-align: right;">Zijkant..... 60 cm <li style="text-align: right;">Achter..... 60 cm <li style="text-align: right;">Voorkant..... 70 cm - Verwarmingsvolume (ca.)..... 290 m³
---	--

 EN 13240: 2001 & A2: 2004	H I J O D E M I G U E L PANADERO P. I. CAMPOLLANO AVENIDA 5ª, 13-15 02007 ALBACETE -SPAIN
WOODSTOVE/ POËLE A BOIS/KAMINOFEN.....19 <small>FREESTANDING ROOMHEATER FIRED BY SOLID FUEL/POËLE INDEPENDANT A COMBUSTIBLE SOLIDE UNABHÄNGIGER OFEN FÜR FESTBRENNSTOFFE</small>	
HB / CB / LMH-80 / LMI-80	
CERTIFICATE /RAPPORT D'ESSAI.....17/15468-2150 <small>DECLARATION OF PERFORMANCE/DECLARATION DES PERFORMANCES/LEISTUNGSERKLÄRUNG "19015/ 19040 / 19016 / 19041"</small>	
NOTIFIED BODY/L'ORGANISME NOTIFIÉ/NOTIFIZIERTEN STELLE.....0370 <small>1015</small>	
Thermal output/Puissance calorifique/Nennleistung.....9.8 kW Energy efficiency/ Rendement énergétique/Wirkungsgrad 80.7 % Emission of CO in combustion products/ <small>Emission de CO par les produits de combustion</small> 0.10 % Co-Emission der Verbrennungsprodukte Flue gas temperature/Temperatures des produits de combustion 233 °C Abgastemperatur	
Distance to adjacent combustible materials/ Back 60 cm <small>Distance par rapport aux matériaux combustibles</small>Side 60 cm Mindestabstand zu brennbaren Materialien Front 70 cm	
Dust concentration at 13% O2 <small>Concentration de poussières à 13% d'O2</small> 30 mg/Nm ³ Feinstaub bei 13% O2	
Fuel types Firewood and briquetted wood <small>Type de combustible</small> Bois et briquettes Brennstoffe Brennholz und Holzbriketts	
Serial Number/Numéro de série /Seriennummer	

ISTRUZIONI D'USO E MANUTENZIONE

Ha acquistato un prodotto della marca PANADERO; oltre a una corretta manutenzione, le nostre stufe richiedono un'installazione in conformità alla legislazione in vigore. I nostri prodotti sono conformi alla norma europea EN 13229, ma è molto importante che l'utente sappia utilizzare correttamente la sua stufa seguendo le nostre raccomandazioni. **Per questa ragione, prima d'installare il nostro prodotto deve leggere attentamente il presente manuale e seguire le nostre istruzioni d'uso e di manutenzione.**

Nel nostro inserto la forma di trasmettere il calore è doppia, prima attraverso la grande superficie vetro ceramico con calore radiante e l'altro è il calore generato nelle pareti del inserto che possiamo recuperare facendo una installazione ottimale, lasciando spazio intorno alla casa, creando correnti d'aria che lo circondano, sfruttando la convezione del calore

INSTALLAZIONE

- Avete acquistato una stufa a legna progettata con la camera di combustione rivestita con vermiculite

ATTENZIONE: L'installazione di questo inserto deve essere effettuata da un professionista qualificato. Tutti i regolamenti e norme locali, nazionali ed europei devono essere soddisfatti quando si installa l'inserto.

Condotto di scarico Fumi:

L'inserto non deve essere installato su un sistema di evacuazione fumi in comune con altri dispositivi.

- Mettere un insieme di tubi ben collegati, sigillati con prodotti specifici per evitare la fuoriuscita di fuliggine, collegare il primo tubo con un minimo di 40 mm di diametro.

- L'installazione della tubazione deve essere il più verticale possibile, evitando uso di gomiti e deviazioni i quali possono causare il malfunzionamento dell'inserto.

- Un impianto realizzato con solo tubi, deve avere almeno 3 metri lineari.

- Si consiglia di mettere un comignolo girevole sull'ultimo tramo di tubo.

Posizionamento:

- accertarsi che il pavimento possa sopportare il peso dell'apparecchio e provvedere ad un adeguato isolamento nel caso sia costruito in materiale infiammabile;

- E' necessario pianificare una accessibilità per permettere la pulizia dell'inserto e della canna fumaria.

- Davanti al focolare non deve esserci alcun oggetto (mobili, tende, carta abbigliamento) o materiale di costruzione infiammabile e sensibile al calore a meno di 80cm di distanza

- Assicurarsi che nella stanza dove sarà installato vi sia una ventilazione adeguata, a tale proposito consigliamo di avere almeno una finestra.

Montaggio:

Il fondo dell'inserto deve avere una presa d'aria diretta, all'interno o al di fuori, di una dimensione non inferiore a 450 cm²

- Si consiglia di installare uno sfuocato nella zona tra il tetto e la parte superiore dell'inserto, isolare tutte le aree circostanti (per migliorare la tenuta), al fine di utilizzare la convezione di calore. Lasciare una distanza minima di 50 mm intorno all'unità per creare la camera di convezione. - Prima di installare l'inserto si consiglia di rimuovere tutte le parti mobili all'interno per evitare la rottura e una volta collocato nella posizione definitiva riposizionare le parti tolte. Una volta collocato, effettuate un test preliminare prima di sigillare il tutto e consigliato iniziare dal basso verso l'alto.

- La muratura non deve essere appoggiata sull'inserto ma bisogna lasciare un minimo di 5 mm di margine per permettere eventuali espansioni del metallo evitando di creare fessure nella parete superiore della muratura.

COMBUSTIBILE

- Come combustibile bisogna usare legna secca, facendo in modo che non superi del 20% il livello d'umidità. E' necessario tener presente che della legna con un 50% o un 60% di umidità non riscalda, ha una pessima combustione, produce molto catrame, libera un'eccessiva quantità di vapore acqueo e forma eccessivi sedimenti nella stufa, sul cristallo e nel condotto del fumo. Si possono usare anche delle bricchette di legno pressato.
- Accendere il fuoco con le apposite pastiglie o con l'aiuto di carta e legna fine. Non bisogna mai usare per accendere il fuoco alcol o prodotti simili.
- Non bruciarvi rifiuti domestici, materie plastiche o prodotti grassi che inquinano l'ambiente e possono provocare rischi d'incendi per ostruzione del condotto.

FUNZIONAMENTO

- **Le prime volte che si accende è normale che venga prodotto del fumo. Ciò è dovuto al fatto che si bruciano certi componenti della vernice anticalore mentre il pigmento aderisce alla stufa stessa. Per tale ragione è raccomandabile ventilare abbondantemente la stanza finché questo fenomeno sparisce.**
- L'inserto non è stata progettata per funzionare con lo sportello aperto.
- Il dispositivo è pensato per lavorare in maniera intermittente con intervalli di ricarica di combustibile.
- Per quanto riguarda il processo d'accensione dell'inserto si raccomanda di usare carta, pastiglie combustibili e piccoli legnetti. Una volta che il fuoco inizia a prendere, aggiungere nel primo carico due bastoni da 1,5 a 2 Kg. di peso. In questo processo d'accensione il tiraggio d'aria dell'inserto deve essere completamente aperto. Se fosse necessario è possibile anche aiutarsi all'inizio mediante l'apertura del cassetto della cenere.
- Una volta che il fuoco è diventato intenso, chiudere completamente il cassetto della cenere (se è stato aperto in precedenza) e regolare l'intensità del fuoco chiudendo in maggiore o minore misura il tiraggio dell'aria.
- Per ottenere la potenza nominale di questo inserto bisogna collocare una quantità di legna di 1.93 Kg. di peso a intervalli di 45 min. I tronchi vanno collocati in senso orizzontale leggermente separati tra loro, in modo da garantire una corretta combustione. Non si deve ricaricare il dispositivo finché non è stata consumata la legna precedente e sia rimasta solo la riserva di braci.
- Per ottenere una combustione lenta bisogna regolare l'intensità del fuoco con il tiraggio dell'aria. Quest'ultimo deve essere sempre libero da intoppi per permettere l'entrata dell'aria per la combustione.
- E' normale che, con l'uso, si sgretoli la guarnizione di fibra di vetro del cristallo. Benché l'inserto possa funzionare senza questa guarnizione, si raccomanda di sostituirla ogni stagione.
- Il cassetto inferiore serve a togliere la cenere. Svuotarlo con frequenza, senza attendere che si riempia troppo onde evitare che si rovini la griglia; prestare attenzione alla cenere che può essere ancora calda fino a 24 ore dopo che è stato spento il fuoco.
- Non aprire lo sportello del dispositivo in maniera brusca in modo da evitare la fuoriuscita di fumo. Non aprire mai lo sportello della stufa senza aver prima aperto il tiraggio. Aprire lo sportello solo allo scopo di ricaricare il combustibile adeguato.
- Il cristallo, i pezzi d'ottone e il dispositivo in genere possono raggiungere temperature molto elevate, fare quindi attenzione a non bruciarsi. Per maneggiare queste parti, usare il guanto

Durante il carico di legna o rimozione di cenere , la cenere può cadere sul telaio , per impedire che la cenere venga assorbita dalla ventola ed espulsa attraverso la parte superiore , bisogna mettere la ventola in posizione 0 o I prima di aprire la porta . A porta chiusa è possibile impostare la posizione desiderata

- Non aprire lo sportello del dispositivo in maniera brusca in modo da evitare la fuoriuscita di fumo. Non aprire mai lo sportello della stufa senza aver prima aperto il tiraggio. Aprire lo sportello solo allo scopo di ricaricare il combustibile adeguato.
- Il cristallo, i pezzi d'ottone e il dispositivo in genere possono raggiungere temperature molto elevate, fare quindi attenzione a non bruciarsi. Per maneggiare queste parti, usare il guanto allegato all' inserto.
- Tenere i bambini lontani dell' inserto mentre si usa per evitare che si brucino.
- Se sorgono problemi (stagione intermedia, camino freddo, ecc.) si può accendere un fuoco di richiamo" con della carta appallottolata, che favorisce l'attivazione dell' inserto.
- Nel caso in cui si verifichi del surriscaldamento, chiudere il tiraggio dell'aria per ridurre l'intensità del fuoco.
- Nel caso in cui ci sia un cattivo funzionamento, chiudere il tiraggio dell'aria e rivolgersi al fabbricante.

MANUTENZIONE

- Conviene pulire periodicamente il cristallo per evitare che i resti di fuliggine lo anneriscano. Esistono in commercio degli strumenti di pulizia appositi. Non usare mai dell'acqua. Non cercare mai di pulire la stufa mentre sta funzionando.
- E' anche importante pulire periodicamente i condotti dei fumi, inoltre, bisogna verificare che non ci siano parti intasate prima di accendere di nuovo la stufa dopo un periodo prolungato d'inattività. All'inizio di ogni stagione è importante che un tecnico professionista esegua una manutenzione dell'impianto.
- In caso d'incendio nel camino, se possibile, chiudere il tiraggio dell'aria e rivolgersi immediatamente alle autorità competenti.
- Qualsiasi pezzo di ricambio che sarà necessario sostituire deve essere raccomandato da noi.
- La treccia di fibra di vetro usata per le giunte si può deteriorare con il tempo. Se fosse il caso, si deve cambiare per un nastro nuovo.

GARANZIA

Questo inserto è un prodotto di elevata qualità, fabbricata con grande perizia. Nel caso in cui, ciò nonostante, si dovesse verificare qualche difetto, deve rivolgersi prima al proprio distributore. Se quest'ultimo non è in grado di risolvere il problema, dovrà mettersi in contatto con noi e, se necessario ci manderà la stufa. La nostra ditta sostituisce gratuitamente qualsiasi pezzo difettoso per cinque anni dalla data d'acquisto. Le spese di trasporto, tuttavia, verranno sostenute dal cliente.

Dato che questo dispositivo è stato testato da un laboratorio certificato non sono sotto garanzia le seguenti pezzi:

- Vetro
- Griglia
- Vermiculite
- Maniglie e cerniere

All'interno dell'imballaggio, si trova una scheda di controllo qualità, la preghiamo di farla pervenire al distributore in caso di reclamo.

La copertura della garanzia non copre il ventilatore e il cablaggio visto che tutti gli apparecchi sono stati testati prima dell'imballaggio da un laboratorio omologato, effettuando il controllo di qualità

Focolare dotato di 1 ventilatore tangenziale caudale 170 m³/h, che prende l'aria fredda dalla parte inferiore, circonda tutto l'apparechio e espelle l'aria calda per la parte superiore.

Il ventilatore comprende un termostato per regolare la temperatura in modo che non si surriscaldi. Questo termostato aziona il ventilatore automaticamente da 50°C.


La stufa ha un interruttore a tre posizioni per controllare il flusso di aria calda che esce dalla stufa.

- In posizione 0 la ventola è spenta, ma se la temperatura raggiunge i 50°C, il termostato avvia il ventilatore e questo si troverà in posizione I di velocità.
- In posizione I, la ventola è al 40% della velocità massima.
- Nella posizione II, il ventilatore è a piena velocità.

ATTENZIONE: il ventilatore deve essere SEMPRE collegato alla rete, per evitare danni da surriscaldamento.

MISURE E CARATTERISTICHE

- Altezza.....	612 mm	- Potenza termica nominale.....	9.8 kW
- Larghezza.....	756 mm	- Rendimento.....	80.7 %
- Profondità.....	539 mm	- Emissione di CO al 13% di O ₂ ...	0.10 %
- Peso.....	1.39 Kg	- Tiraggio nel camino per potenza nominale.....	11.8 Pa
- Portello inserimento legna.....	600 x 370 mm	- Portata massica del fumo.....	7.76 g/s
- Diametro scarico fumi.....	150 mm	- Temperatura del fumo.....	233 °C
- Griglia di ghisa		- Distanza minima da materiali infiammabili	
- Vernice anticalore resistente a 800 °C			Laterale 60 cm Posteriore 60 cm Anteriore 70 cm
- Cristallo in vetroceramica 750 °C			
- Lunghezza massima tronchi: 80 cm		- Volume di riscaldamento (circa.)	290 m ³

 EN 13240: 2001 & A2: 2004		H I J O D E M I G U E L PANADERO P.I. CAMPOLLANO AVENIDA 5ª, 13-15 02007 ALBACETE-SPAIN
WOODSTOVE/ POËLE A BOIS/KAMINOFEN.....19 <small>PREESTANDING ROOMHEATER FIRED BY SOLID FUEL/POËLE INDEPENDANT A COMBUSTIBLE SOLIDE UNABHÄNGIGER OFEN FÜR FESTBRENNSTOFFE</small> HB / CB / LMH-80 / LML-80		
CERTIFICATE/RAPPORT D'ESSAI 17/15468-2150 <small>39-13896/1/T</small>		
DECLARATION OF PERFORMANCE/DECLARATION DES PERFORMANCES/LEISTUNGSERKLÄRUNG "19015/ 19040 / 19016 / 19041"		
NOTIFIED BODY/L'ORGANISME NOTIFIÉ /NOTIFIZIERTEN STELLE 0370 <small>1015</small>		
Thermal output/Puissance calorifique/Nennleistung.....9.8 kW Energy efficiency/Rendement énergétique/Wirkungsgrad 80.7 % Emission of CO in combustion products/ Emission de CO par les produits de combustion 0.10 % Co-Emission der Verbrennungsprodukte		
Flue gas temperature/Temperatures des produits de combustion. 233°C Abgastemperatur		
Distance to adjacent combustible materials/ Distance par rapport aux matériaux combustibles Back 60 cm Mindestabstand zu brennbaren Materialien Side 60 cm Front 70 cm		
Dust concentration at 13% O ₂ Concentration de poussières à 13% d' O ₂ 30 mg/Nm ³ Feinstaub bei 13% O ₂		
Fuel types Firewood and briquetted wood Type de combustible Bois et briquettes Brennstoffe Brennholz und Holzbriketts		
Serial Number/Numéro de série /Seriennummer		

INSTRUKCJA UŻYTKOWANIA I KONSERWACJI

Zakupili Państwo właśnie produkt firmy Panadero. Oprócz prawidłowego użytkowania, nasze piecyki kominkowe wymagają instalacji ściśle zgodnej z instrukcją. Nasze produkty spełniają europejską normę EN 13229 jednak istotne jest aby Państwo wiedzieli jak właściwie użytkować piecyk zgodnie ze wskazanymi zaleceniami. **Dlatego przed instalacją piecyka kominkowego konieczne jest dokładne przeczytanie tej instrukcji i postępowanie zgodnie z przedstawionymi w niej wytycznymi dotyczącymi użytkowania i konserwacji.**

We wkładzie kominkowym sposób przekazywania ciepła jest dwójaki: z jednej strony wykorzystuje się ciepło promienujące z ogromnej powierzchni szkła wyceramicznego; z drugiej zaś mamy powstałe w obudowie ciepło, które będziemy mogli odzyskać dzięki optymalnej instalacji, pozostawiając pewną przestrzeń wokół urządzenia i tworząc przewiew powietrza, gromadzącego się wokół, wykorzystując w ten sposób ciepło konwekcyjne.

INSTALACJA

- Zakupili Państwo piec kominkowy opalany drewnem wyposażony w komorę spalania wyłożoną wermikulitem.

UWAGA: Instalacja tego wkładu kominkowego powinna być wykonana przez wykwalifikowanego fachowca. Podczas instalacji urządzenia powinny być spełnione wszelkie zarządzenia lokalne, włącznie z tymi, które odnoszą się do norm państwowych czy też europejskich.

Komin:

- Wkładu nie należy instalować w systemie kominowym dzielonym z innymi urządzeniami.

- Należy założyć dobrze połączone rury, zabezpieczyć złącza kitem ognioodpornym, by sadza nie wydostawała się na zewnątrz, a następnie połączyć pierwszą rurę z kominem kominka, tak by złączenie miało minimalnie 40 mm.

- Przewód kominowy powinien być zainstalowany jak najbardziej w pionie, należy unikać użycia kolanek i skrzywiania przewodu, co mogłoby spowodować złe funkcjonowanie sprzętu.

- Instalacja przeprowadzona tylko przy pomocy rur, powinna mieć przynajmniej 3 metry długości.

- Zaleca się założenie okapu na ostatniej rurze.

- W przypadku gdy instalacja jest podłączona do wbudowanego przewodu kominowego, rury muszą zawsze sięgać do zewnętrznego wylotu tego przewodu.

WPROWADZENIE

Piec, który Państwo zakupili oferuje najlepsze udogodnienia, wysoką wydajność oraz bardzo niską emisję CO i resztek popielinowych. Żeby uzyskać te właściwości, rozgrzane powietrze dociera do komory spalania przez górną część pieca. Ponadto w celu uzyskania wymienionych korzyści prosimy o zastosowanie się do następujących porad:

- Używaj zawsze, w miarę możliwości, małych kawałków sosny suchej, tworząc małe wzgórce. Poniżej tego wzgórca umieść 1 lub 2 kostki rozpałki i przede wszystkim zwróć uwagę, by polana drewna była sucha, najlepiej rąbane podłużnie na pół. Podczas gdy rozpałka rozpali się, zamknij drzwi i ustaw regulator powietrza na maksimum. Kiedy ogień osiągnie właściwą intensywność, mogą Państwo regulować go za pomocą dolnego regulatora.

Ustawienie:

- Wkład należy umieścić w miejscu, które zniesie jego ogromny ciężar; wszystko, co będzie w jego pobliżu powinno być wykonane z materiałów niełatwopalnych i/albo być należycie odizolowane.
- W czasie funkcjonowanie wkładu, należy oddalić od niego rzeczy, które mogą reagować na ciepło: meble, zasłony, papier, odzież, etc. Bezpieczna odległość powinna wynosić przynajmniej 80 cm.
- Ten wkład powinien być zainstalowany w pomieszczeniu z odpowiednią wentylacją. Zalecamy, by w pomieszczeniu, gdzie zostanie zainstalowany wkład było przynajmniej jedno okno, która będzie można otworzyć.

MONTAŻ

- Wewnętrzna część wkładu musi mieć bezpośredni wlot powietrza od wewnątrz bądź od zewnątrz, o nie mniejszej niż 450 cm²

- Jest wskazana instalacja kratki wentylacyjnej na obszarze usytuowanym między sufitem i górną częścią wkładu, izolując wszelkie obszary w pobliżu (by polepszyć szczelność) w celu wykorzystania ciepła konwekcyjnego. Dlatego należy zostawić przestrzeń przynajmniej 50 mm wokół wkładu, by stworzyć komorę ciepła konwekcyjnego.
- Przed zainstalowaniem wkładu zaleca się wyjąć wszystkie oddzielne części ze środka, by uniknąć ich połamania, i zamontować je ponownie wewnątrz po ustawieniu wkładu w przeznaczonym miejscu.
- Po instalacji wkładu należy zrobić wstępną próbę, czy działa prawidłowo, po czym rozpocząć wbudowywanie go, zalecane od dołu do góry.
- Obmurowanie nie powinno opierać się o wkład, należy zostawić przynajmniej 5 mm, żeby szczeliny w metalu nie spowodowały pęknięć w górnej ścianie.
- Na końcu za pomocą znajdujących się w zestawie śrub i nakrętek do wkładu należy przymocować obudowę .
- Wkład został skonstruowany do działania przy zamkniętych drzwiczkach.

WAŻNE: Podstawową rzeczą jest zdjęcie obudowy przed wstawieniem wkładu do wnęki, w której ma być wmurowany, by instalacja była łatwiejsza; po instalacji ponownie należy założyć obudowę.

PALIWO

- Należy używać tylko suchego drewna o stopniu wilgotności nie większym niż 20%. Drewno o większej wilgotności niż 50% czy 60% nie ogrzewa i słabo się pali, wytwarza dużo smoły, wydziela dużo pary wodnej i powoduje nawarstwianie się osadu na piecyku, szybko i przewodzie kominowym. Jako opału można także używać brykietu ze sprasowanego drewna.
- Należy rozpałać ogień używając specjalnych podpałek, papieru lub małych kawałków drewna. Nie wolno używać w tym celu alkoholu, ani podobnych produktów.
- W piecyku kominkowym nie wolno spalać śmieci domowych, materiałów z plastiku czy produktów zawierających tłuszcze, takich które mogłyby zanieczyścić środowisko i spowodować zagrożenie pożarowe poprzez zatkanie przewodów.

UŻYTKOWANIE

- Podczas kilku pierwszych użyć piecyka pojawia się dym, co jest normalnym zjawiskiem jakie towarzyszy wypalaniu się niektórych elementów farby żaroodpornej podczas gdy utrwała się pigment farby piecyka. Ze względu na to, należy dobrze wietrzyć pomieszczenie, w którym znajduje się piecyk, aż do momentu zaprzestania pojawiania się dymu.
- Piecyk kominkowy nie jest przeznaczony do działania przy otwartych drzwiczkach.
- Urządzenie jest skonstruowane by działać w sposób nieciągły z przerwą na doładowanie opału.
- Aby rozpalić ogień zaleca się stosowanie papieru, specjalnych podpałek czy małych kawałków drewna. Gdy ogień zaczyna się palić, jako pierwsze należy dodać dwa polana drewna, z których każdy powinien ważyć około 1 kg – 1,3kg. Podczas rozpalania ognia, wywietrzniki powietrza powinny być całkowicie otwarte. Można też otworzyć popielnik, jeśli jest taka potrzeba. Gdy ogień już się rozpali, należy zamknąć popielnik (jeśli był otwarty), siłę ognia reguluje się poprzez zamykanie i otwieranie wywietrzników powietrza.
- Aby otrzymać nominalną moc ciepła, należy umieścić w piecyku 1,93 kg drewna w odstępach 45 min. Polana powinny być umieszczone poziomo i oddzielone od siebie, aby umożliwić właściwe palenie się. Nie należy uzupełniać opału piecyka dopóki uprzednio załadowane polana się nie spalą pozostawiając tylko żar, co jest wystarczające do rozpalenia dokładanych polan.
- Aby uzyskać powolne spalanie się drewna, należy regulować ogień poprzez wywietrzniki powietrza, które nigdy nie mogą być zapchane, aby umożliwić dopływ powietrza niezbędny do procesu spalania.
- Po pierwszym rozpaleniu ognia, elementy z mosiądzu mogą przybrać miedziany kolor.
- Z czasem uszczelka przy szybko od drzwiczek stopi się. Pomimo tego, że piecyk może funkcjonować bez niej, zaleca się jej sezonową wymianę.
- Popielnik można wyciągać z piecyka kominkowego aby usunąć popiół. Należy regularnie opróżniać popielnik z popiołu, aby uniknąć uszkodzeń rusztu żeliwnego. Zaleca się ostrożność w opróżnianiu popielnika, jako że może być on gorący aż do 24 godzin po tym jak piecyk był używany.
- Nie wolno gwałtownie otwierać drzwiczek piecyka aby uniknąć nagłego wydostania się dymu. Nigdy nie można otwierać drzwiczek przy zamkniętych wywietrznikach powietrza. Należy otwierać drzwiczki tylko w celu dołożenia brakującego opału.
- **Podczas załadunku drewna lub usuwania popiołu część popiołu może spaść na ramę, aby zapobiec pochłonięciu tego popiołu przez wentylator i wyrzuceniu go od góry, przed otwarciem drzwi należy ustawić wentylator w pozycji 0 lub I. Po zamknięciu drzwi można ustawić żądaną pozycję.**

- Szybka, elementy z mosiądzu i cały piecyk mogą osiągnąć bardzo wysoką temperaturę, należy uważać na ryzyko oparzenia i nie dotykać tych elementów bez dołączonych do piecyka rękawic.
- Należy trzymać dzieci z dala od piecyka, kiedy jest użytkowany, aby uniknąć poparzeń.
- Jeśli występują problemy z rozpaleniem drewna w piecyku (np. z powodu bardzo niskich temperatur powietrza), można użyć jako rozpałki złożonego lub zmiętego papieru, co znacznie ułatwia rozniecenie ognia.
- W przypadku zbytniego rozgrzania się piecyka kominkowego, należy zamknąć wywietrzniki powietrza.
- W przypadku złego funkcjonowania piecyka kominkowego, należy zamknąć wywietrzniki powietrza i skonsultować się z producentem.

KONSERWACJA URZĄDZENIA

- Zaleca się okresowe czyszczenie szybki od drzwiczek, aby uniknąć ich zabrudzenia przez sadzę. W sprzedaży dostępne są specjalne środki czyszczące. Nie należy w tym celu używać wody, ani też czyścić szybki w trakcie użytkowania piecyka.
- Ważne jest także by okresowo czyścić otwór wylotowy przewodu piecyka i sprawdzać przed użyciem czy nie jest zablokowany, po dłuższym okresie nie użytkowania urządzenia. Wraz z rozpoczęciem każdego sezonu grzewczego, specjalista powinien przeprowadzić przegląd piecyka.
- W przypadku pożaru komina, jeśli jest to możliwe, należy zamknąć wywietrzniki powietrza i skontaktować się ze strażą pożarną.
- Wszelkie części zamienne muszą być rekomendowane przez naszą firmę.
- Włókno szklane wykorzystywane w sznurach ognioodpornych z czasem może ulec zniszczeniu. Jeżeli tak jest w Państwa przypadku, w momencie gdy będzie miało to miejsce, należy zastąpić je nowym sznurem ognioodpornym z włókna szklanego.

GWARANCJA

Zakupili Państwo wysokiej jakości piecyk kominkowy, produkowany z wielką starannością. Jeśli, mimo tego, produkt posiadałby wadę, należy skontaktować się z dystrybutorem. W przypadku, gdy nie jest możliwe rozwiązanie problemu przez niego, dystrybutor skontaktuje się z nami i, jeśli jest to konieczne, prześle nam piecyk. Nasza firma darmowo wymieni każdą wadliwą część piecyka przez pięć lat od daty zakupu. Koszty transportu jednakże pokryta klient.

W przypadku gdy powstanie jakiegokolwiek zdefomowanie wewnątrz komory spalania, jest to wynik przegrzania produktu i dlatego też NIE jest to objęte gwarancją.

Ten model był testowany przez laboratorium upowaznione do przeprowadzania badań na homologację

- szyby
- rusztu żeliwnego
- okuc
- wermikulitu

W środku kartonu znajdują Państwo kartę kontroli jakości. Prosimy o przesłanie jej do dystrybutora w przypadku składania reklamacji.

Ponieważ urządzenie to zostało przebadane przez atestowane laboratorium i przeprowadzamy kontrolę jakości 100% produkowanych urządzeń, sprawdzając w naszych zakładach, czy zespół elektryczny działa prawidłowo przed wysłaniem, gwarancja nie obejmuje wymienionego zespołu elektrycznego (wentylator i okablowanie).

CHARAKTERYSTYKA WENTYLATORA

Model ten wyposażony jest w wentylator poprzeczny o natężeniu przepływu 170 m³/h, który pobiera zimne powietrze z dolnej części, powietrze to otacza urządzenie i nagrzewa się oraz wypuszcza gorące powietrze przez otwory w górnej części.

Wentylator posiada termostat regulujący jego temperaturę, aby się nie przegrzewał. Ten termostat uruchamia wentylator automatycznie od 50°C.


Wkład posiada przełącznik z trzema pozycjami do regulacji przepływu gorącego powietrza wychodzącego z wkładu.

- W pozycji 0 wentylator jest wyłączony, ale jeśli temperatura osiągnie 50°C, termostat uruchomi wentylator i będzie w pozycji I prędkości.
- W pozycji I wentylator pracuje na 60% maksymalnej prędkości.
- W pozycji II wentylator pracuje z maksymalną prędkością.

WAŻNE: wentylator musi być ZAWSZE podłączony do sieci elektrycznej, aby zapobiec jego uszkodzeniu w wyniku przegrzania.

WYMIARY I CHARAKTERYSTYKA

- Wysokość.....	612 mm	- Nominalna moc ciepła.....	9.8 kW
- Szerokość.....	756 mm	- Efektywność energetyczna.....	80.7 %
- Głębokość.....	539 mm	- Emisja tlenku węgla.....	11.8 P
- Waga.....	139 Kg	- Ciąg kominowy.....	7.76 g/s
- Drzwiczki.....	600 x 370 mm	- Temperatura spalin.....	233 °C
- Wylot spalin tyłem, średnica	150 mm	- Odstęp od części palnych.....	
- Ruszt żeliwny			Bok 60 cm
- Farba żaroodporna do 800 °C			Tył 60 cm
- Szyba szklanoceramiczna 750 °C			Przód 70 cm
- Długość polan do 80 cm		- Średnia ogrzewana powierzchnia.....	290 m ³

 EN 13240: 2001 & A2: 2004		H I J O D E M I G U E L PANADERO P.I. CAMPOLLANO AVENIDA 5ª, 13-15 02007 ALBACETE - SPAIN	
WOODSTOVE/ POËLE A BOIS/KAMINOFEN.....		19	
<small>FREESTANDING ROOMHEATER FIRED BY SOLID FUEL/POËLE INDEPENDANT A COMBUSTIBLE SOLIDE UNABHANGIGER OFEN FÜR FESTBRENNSTOFFE</small>			
HB / CB / LMH-80 / LMI-80			
CERTIFICATE/RAPPORT D'ESSAI.....		17/15468-2150	
DECLARATION OF PERFORMANCE/DECLARATION DES PERFORMANCES/LEISTUNGSERKLÄRUNG		39-13896/1/T	
"19015/ 19040 / 19016 / 19041"			
NOTIFIED BODY/L'ORGANISME NOTIFIE /NOTIFIZIERTEN STELLE.....		0370	
		1015	
Thermal output/Puissance calorifique/Nennleistung.....		9.8 kW	
Energy efficiency/Rendement énergétique/Wirkungsgrad.....		80.7 %	
Emission of CO in combustion products/ Emission de CO par les produits de combustion.....		0.10 %	
Co-Emission der Verbrennungsprodukte			
Flue gas temperature/Temperatures des produits de combustion.....		233 °C	
Abgastemperatur			
Distance to adjacent combustible materials/ Distance par rapport aux matériaux combustibles.....		Bok 60 cm	
Mindestabstand zu brennbaren Materialien.....		Side 60 cm	
		Front 70 cm	
Dust concentration at 13% O ₂ Concentration de poussières à 13% d' O ₂		30 mg/Nm ³	
Feinstaub bei 13% O ₂			
Fuel types.....		Firewood and briquetted wood	
Type de combustible.....		Bois et briquettes	
Brennstoffe.....		Brennholz und Holzbriketts	
Serial Number/Numéro de série /Seriennummer			

INSTRUÇÕES DE UTILIZAÇÃO E DE MANUTENÇÃO

Acaba de adquirir um produto da marca PANADERO. Além de uma manutenção correcta, as nossas salamandras requerem uma instalação conforme com a legislação em vigor. Os nossos produtos estão conformes com a norma europeia EN13229 mas é muito importante para o consumidor saber utilizar correctamente a sua salamandra de acordo com as recomendações que indicamos. **Por esta razão, antes de instalar o nosso produto deverá ler rigorosamente este manual e seguir as nossas instruções de utilização e de manutenção.**

Na recuperador, a forma de transmitir calor é dupla: por um lado, através da grande superfície de vidro-cerâmica, é utilizado calor de radiação, e por outro lado, existe o calor gerado nas paredes da lareira que podemos recuperar fazendo uma instalação óptima, deixando espaço à volta da lareira e criando correntes de ar que a rodeiam, tirando assim partido do calor de convecção

INSTALAÇÃO

- Comprou uma salamandra a lenha cujo caixa de combustão está revestido com vermiculite.

ATENÇÃO: Todos os regulamentos locais, incluindo os que se referem às normas nacionais ou europeias, devem ser cumpridos aquando da instalação da lareira.

CONDUTA DE FUMOS

- A recuperador não deve ser instalada num sistema de chaminé partilhado com outros aparelhos.

- Colocar um conjunto de tubos bem ligados, selados com massa refractária para evitar a queda de fuligem para o exterior, e ligar o primeiro tubo à saída de chaminé da caixa de incêndio com uma tomada mínima de 40 mm.

- A instalação da conduta deve ser o mais vertical possível, evitando o uso de cotovelos e desvios que possam causar o mau funcionamento da caixa de incêndio.

- Uma instalação que utilize apenas tubos deve ter um mínimo de 3 metros lineares.

- É altamente recomendada a colocação de uma tampa sobre o último tubo.

- Se a conduta de fumos for ligada a uma chaminé de alvenaria, os tubos devem chegar até à saída exterior da mesma.

LOCALIZAÇÃO:

- Deve ser colocado num local que suporte o grande peso da lareira e tudo à sua volta deve ser material incombustível e/ou estar bem isolado.

- É necessário ter acessibilidade para a limpeza da lareira, da chaminé e da chaminé.

- Enquanto a lareira estiver em funcionamento, mantenha longe dela tudo o que possa ser perturbado pelo calor: móveis, cortinas, papel, roupa, ... Deve ser mantida uma distância mínima de segurança de 80cm.

Esta lareira deve ser instalada numa sala bem ventilada. Recomendamos que haja pelo menos uma janela que possa ser aberta na sala onde a lareira vai ser instalada.

ASSEMBLEIA:

- A parte inferior da lareira deve ter uma entrada directa de ar, quer de dentro quer de fora, de tamanho não inferior a 450 cm².

- É aconselhável instalar uma grelha de ventilação na área entre o tecto e a parte superior da lareira, isolando todas as áreas próximas (para melhorar a estanquicidade do ar), a fim de tirar partido do calor de convecção. Para tal, deixar um espaço mínimo de 50 mm à volta do aparelho para criar a câmara de convecção.

Antes de instalar a caixa de incêndio, recomenda-se remover todas as partes móveis do interior para evitar que se parta, e uma vez no lugar, voltar a montar o interior da caixa de incêndio.

- É preciso que esteja no lugar, realizar um ensaio prévio e depois começar a instalá-lo, o que é recomendado a partir de baixo para cima.

- A alvenaria não deve repousar em cima da caixa de fogo, deve ser deixado um mínimo de 5mm para evitar que a expansão do metal crie fissuras na parede superior.

Se a construção já existente não cumpre este requisito prévio, devem ser adoptadas as medidas adequadas (por exemplo, uma placa de distribuição de carga) para cumpri-lo.

COMBUSTÍVEL

-Utilize como combustível lenha seca, procurando que a mesma não exceda um grau de humidade de 20%. Tenha em conta que lenha com 50% ou 60% de humidade não aquece, tem uma combustão muito má, cria muito alcatrão, liberta vapor de água excessivo e produz sedimentos excessivos no aparelho, vidro e conduta de fumos. Também pode utilizar briquetes de lenha prensada.

-Acenda o lume com pastilhas existentes para esta finalidade ou com a ajuda de papel e pequenos paus de madeira. Nunca utilize para acender álcool ou produtos similares.

-Não queime resíduos domésticos, matérias plásticas ou produtos com gordura que contaminem o meio-ambiente e possam provocar risco de incêndios por obstrução da conduta.

FUNCIONAMENTO

-Durante as primeiras vezes que acende o lume é normal que se produza fumo. Isto deve-se ao facto de se queimarem certos componentes da pintura anti-calórica, ao mesmo tempo que o pigmento adere à própria salamandra. Por isso, recomenda-se a ventilação abundante da sala até que tal desapareça.

-A salamandra não foi feita para funcionar com a porta aberta.

-O aparelho foi pensado para trabalhar de forma intermitente, com intervalos de recarga de combustível.

-Para pôr a salamandra em funcionamento, recomenda-se a utilização de papel, pastilhas e ripas de madeira. Uma vez que o fogo comece a surgir, deve-se introduzir no primeiro carregamento dois troncos de 2 a 2.5 Kg. de peso. Neste processo, as saídas de ar da salamandra têm de estar totalmente abertas. Se for necessário, também pode ajudar, ao início, abrir a gaveta das cinzas.

-Uma vez que o lume tenha adquirido intensidade, feche totalmente a gaveta das cinzas (se foi aberta anteriormente) e regule a intensidade do lume fechando em maior ou menor medida as saídas de ar.

-Para conseguir a potência nominal desta salamandra deve colocar uma quantidade de lenha aproximada de 1.93 Kg. de peso (dois troncos de pouco mais de 1 Kg.) em intervalos de 45 min. Deve colocar os troncos em sentido horizontal, ligeiramente separados entre si, para assegurar uma correcta combustão. Não se deve recarregar o aparelho até que não se tenha consumido a carga anterior e só reste a reserva de brasas.

-Para conseguir uma combustão lenta, deve regular a intensidade do lume com as saídas de ar. Estas terão de estar sempre desbloqueadas para permitir o fornecimento de ar para a combustão.

-É normal que depois das primeiras vezes em que se acendeu a salamandra as peças de latão adquiram uma cor acobreada.

-É normal que com o uso a junta de fibra de vidro, do vidro, se desfaça. Apesar de a salamandra poder funcionar sem esta junta, recomenda-se que a mesma seja substituída periodicamente.

- A gaveta inferior serve para retirar as cinzas. Esvazie-a frequentemente, sem esperar que se encha demasiado, para evitar que se danifique a grelha. Tenha cuidado com a cinza que até 24 horas depois pode continuar quente.

- Durante o carregamento de madeira ou remoção de cinzas, algumas cinzas podem cair sobre a armação, para evitar que as cinzas sejam sugadas pelo ventilador e sopradas para fora da parte superior, colocar o ventilador na posição 0 ou I antes de abrir a porta. Uma vez fechada a porta, pode colocá-la em qualquer posição que deseje.
- Não abra a porta do aparelho de forma brusca com o fim de evitar a saída de fumo. Nunca abra a porta da salamandra sem previamente abrir a saída de ar. Abra a porta só com o fim de recarregar com o combustível adequado.
- O vidro, as peças de latão e o aparelho em geral podem alcançar temperaturas muito elevadas, cuidado com os riscos de queimaduras. Para manipular tais peças, utilize a luva junta com a salamandra.
- Manter afastadas as crianças para evitar queimaduras durante a utilização.
- Se o arranque apresenta problemas (temporada intermédia, chaminé fria, etc.) podese acender o lume de chamada com papel amachucado, o que facilita o início do funcionamento da salamandra.
- No caso de sobreaquecimento, feche as saídas de ar para reduzir a intensidade do lume.
- No caso de mau funcionamento, feche as saídas de ar e consulte o fabricante.

MANUTENÇÃO

- Convém limpar periodicamente o vidro para evitar que os restos de fuligem o escureçam. No comércio existem produtos de limpeza especiais para isso. Não utilize nunca água. Nunca tente limpar a sua salamandra quando estiver em funcionamento.
- Também é importante limpar periodicamente as ligações de condutas de fumo do aparelho e deverá comprovar a ausência de obstrução antes de voltar a acender o aparelho, depois de um período prolongado sem funcionar. Em cada início de temporada é importante que um profissional realize uma manutenção à sua instalação.
- Em caso de incêndio na chaminé, se puder, feche as saídas de ar e contacte imediatamente as autoridades.
- Qualquer peça sobresselente que necessite tem de ser recomendada por nós.

GARANTIA

Esta salamandra é um produto de alta qualidade, fabricada com grande esmero. Se, apesar disso, surgir algum defeito, consulte primeiro o seu distribuidor. Se ele não puder solucionar o problema, entre em contacto connosco e, se necessário, envie-nos a salamandra. A nossa empresa substitui gratuitamente qualquer peça defeituosa durante cinco anos a partir da data da compra. Os gastos de transporte, contudo, estão por conta do cliente.

Uma vez que este dispositivo foi testado por um laboratório certificado não são cobertos pela garantia

- Crystal
- Grill Fundição
- Vermiculite
- Hardware

No interior da embalagem, encontrará uma ficha de controlo da qualidade. Solicitamos que a remeta ao distribuidor em caso de reclamação.

Se qualquer deformação ocorre no interior da câmara de combustão, isto é devido ao sobreaquecimento do dispositivo e, portanto, NÃO coberto pela garantia.

CARACTERÍSTICAS DO VENTILADOR

Este modelo de salamandra dispõe de um ventilador tangencial com um caudal de 170 m³/h que aspira o ar por debaixo da salamandra, levando-o pelo seu interior, aquecendo-o e finalmente expelindo-o no quarto pelas aberturas superiores.

Um termostato ligado ao ventilador regula a temperatura para que este não aqueça demais. Adicionalmente, o termostato activa o ventilador automaticamente desde 50°C.


A salamandra dispõe de um interruptor de 3 posições para regular o fluxo de ar quente que sai da salamandra.

- Na posição 0, o ventilador está desligado, a não ser que a temperatura seja superior a 50°C. Neste caso, o ventilador liga-se automaticamente, colocando-se em posição I.
- Na posição I o ventilador está a 60% da velocidade máxima.
- Na posição II o ventilador está a velocidade máxima.

É muito **IMPORTANTE** que o ventilador **SEMPRE** esteja conectado com a rede, para evitar sobreaquecimento.

MEDIDAS E CARACTERÍSTICAS

- Altura	612 mm	- Potência calórica nominal	9.8 kW
- Largura	756 mm	- Rendimento	80.7 %
- Profundidade.....	539 mm	- Emissão de CO	0.10 %
- Peso	139 Kg	- Saída na chaminé para potência nominal	12 Pa
- Porta entrada lenha	600 x 370 mm	- Caudal em massa de fumos	7.76 g/s
- Saída fumos	150-153 mm	- Temperatura dos fumos	233 °C
- Grelha de ferro fundido		- Distância mínima de materiais combustíveis	
- Pintura anti-calórica resistente a 800 °C			Lateral 60 cm
- Vidro vitrocerâmico 750 °C			Traseira 60 cm
- Troncos até 80 cm			Dianteira 70 cm
		- Volume de aquecimento (aprox.)	290 m ³

		<small>H I J O D E M I G U E L</small> PANADERO <small>P.I. CAMPOLLANO AVENIDA 5ª, 13-15 02007 ALBACETE - SPAIN</small>	
<small>EN 13240: 2001 & A2: 2004</small>			
WOODSTOVE / POËLE A BOIS / KAMINOFEN		19	
<small>FREESTANDING ROOMHEATER, FIRED BY SOLID FUEL / POËLE INDEPENDANT A COMBUSTIBLE SOLIDE UNABHANGIGER OFEN FÜR FESTBRENNSTOFFE</small>			
<small>HB / CB / LMH-80 / LMI-80</small>			
CERTIFICATE / RAPPORT D'ESSAI		17 / 15468-2150	
		39-13896 / 1/T	
<small>DECLARATION OF PERFORMANCE / DECLARATION DES PERFORMANCES / LEISTUNGSERKLÄRUNG "19015 / 19040 / 19016 / 19041"</small>			
NOTIFIED BODY / L'ORGANISME NOTIFIÉ / NOTIFIZIERTEN STELLE		0370	
		1015	
Thermal output / Puissance calorifique / Nennleistung		9.8 kW	
Energy efficiency / Rendement énergétique / Wirkungsgrad		80.7 %	
Emission of CO in combustion products / Emission de CO par les produits de combustion		0.10 %	
Co-Emission der Verbrennungsprodukte			
Flue gas temperature / Temperatures des produits de combustion		233 °C	
Abgastemperatur			
Distance to adjacent combustible materials /		Back 60 cm	
Distance par rapport aux matériaux combustibles		Side 60 cm	
Mindestabstand zu brennbaren Materialien		Front 70 cm	
Dust concentration at 13% O ₂		30 mg / Nm ³	
Concentration de poussières à 13% d'O ₂			
Feinstaub bei 13% O ₂			
Fuel types		Firewood and briquetted wood	
Type de combustible		Bois et briquettes	
Brennstoffe		Brennholz und Holzbriketts	
Serial Number / Numéro de série / Seriennummer			

GEBRAUCHS- UND WARTUNGSANLEITUNG

Sie haben soeben ein Produkt der Marke PANADERO gekauft. Bitte beachten Sie neben der Wartungsanleitung auch die gesetzlichen Vorschriften bei der Aufstellung unserer Öfen.

Unsere Produkte erfüllen die Anforderungen der europäischen Norm EN 13229 Unumgänglich ist jedoch eine korrekte Verwendung Ihres Ofens gemäß den nachstehenden Anweisungen. Lesen Sie daher bitte vor der Aufstellung des Ofens dieses Handbuch aufmerksam durch und befolgen Sie unsere Gebrauchs- und Wartungsanleitung.

Bei dem Kaminofeneinsatz gibt es eine zweifache Wärmeübertragung: zum einen wird durch die große Glaskeramikfenster die Strahlungswärme genutzt und zum anderen wird an den Wänden des Hauses Wärme erzeugt, die wir durch eine optimale Installation zurückgewinnen können, indem wir Raum um den Kaminofeneinsatz herum lassen und Luftströme um den Kaminofeneinsatz erzeugen. So wird die Konvektionswärme genutzt.

INSTALLATION

- Sie haben einen Kaminofen gekauft, der über eine Verbrennungskammer verfügt, überzogen mit Vermiculite. Entfernen Sie nicht diese Teile aus Vermiculit von dem Kaminofen.

Achtung: Die Installation des Ofens darf nur von einem Fachmann durchgeführt werden. Informieren Sie sich über die regional geltenden Bauvorschriften bevor Sie mit der Montage beginnen.

RAUCHROHR:

- Die Verbindungsfugen zwischen den Rohren sind mit einer feuerfesten Dichtungsmasse abzudichten, sodass kein Russ austreten kann.
- Die Installation sollte so vertikal wie möglich, unter Vermeidung von Rohrbögen und Abzweigen erfolgen.
- Ausschließlich mit den Rauchrohren durchgeführte Installationen sollten eine Länge von mindestens 3 m ohne Krümmung aufweisen.
Achten Sie darauf, dass die Lüftungsöffnungen immer frei bleiben.
- Achtung: Der Ofen darf nur in Räumlichkeiten mit ausreichender Lüftung installiert werden. - Ofen, Rauchrohr und Kamin müssen für die Reinigung zugänglich bleiben. Bei Aufstellung des Ofens in der Nähe einer feuerfesten Wand wird empfohlen, einen Mindestabstand für Reinigungsarbeiten einzuhalten.

- Falls der Ofen an einen gemauerten Schornstein angeschlossen wird, sollten die Rauchrohre immer bis zum Außenschornstein reichen.

MONTAGE:

- Der untere Teil des Kaminofeneinsatzes muss einen direkten Lufteinlass von innen oder außen mit einer Größe von mindestens 450 cm² haben.
- Es wird empfohlen, im Bereich zwischen der Decke und dem oberen Teil des Kaminofeneinsatzes ein Lüftungsgitter anzubringen, das alle Bereiche in der Nähe isoliert (um die Dichtigkeit zu verbessern), um die Konvektionswärme zu nutzen. Dazu muss um das Gerät ein Mindestabstand von 50 mm verbleiben, um die Konvektionskammer zu schaffen.

- Vor dem Einbau des Kaminofeneinsatzes wird empfohlen, alle beweglichen Teile aus dem Innenraum zu entfernen, um deren Bruch zu vermeiden. Wenn der Kaminofeneinsatz an seinem endgültigen Platz ist, bauen Sie den Innenraum wieder zusammen.
- Sobald der Kaminofeneinsatz installiert ist, führen Sie einen vorläufigen Betriebstest durch. Dann können Sie mit der Einmauerung beginnen, empfohlen von unten nach oben.
- Die Mauerwerkbaustoffe dürfen nicht auf dem Kaminofeneinsatz aufliegen, es müssen mindestens 5 mm verbleiben, um zu vermeiden, dass die Metallausdehnungen Risse in der oberen Wand verursachen.

HEIZMATERIAL

- Heizen Sie den Ofen mit trockenem Brennholz (max. Feuchtigkeitsgrad: 20%). Bedenken Sie, dass feuchtes Brennholz (mit 50% oder 60% Feuchtigkeit) kaum Heizwärme erzeugt, sehr schlecht verbrennt und dabei Teer sowie hohe Mengen an Wasserdampf freisetzt und Ablagerungen am Gerät, dem Sichtfenster und in den Rauchrohren verursacht. Auch Holzbrickets können mit diesem Ofen verheizt werden.
- Verwenden Sie zum Anzünden geeignete Ofenanzünder bzw. Papier und Kleinholz. Verwenden Sie auf keinen Fall Alkohol oder ähnliche Produkte zu diesem Zweck.
- Verbrennen Sie keinen Hausmüll, Plastikabfälle oder fetthaltige Produkte. Diese verschmutzen die Umwelt und können durch Verstopfen des Rauchabzugs Brandgefahr hervorrufen.

BETRIEB

- Während der ersten Betriebsstunden ist mit einer gewissen Rauchentwicklung zu rechnen. Diese entsteht durch die Verbrennung bestimmter Bestandteile des Hitzeschutzanstrichs. Dabei kommt es zum Einbrennen der Farbpigmente in die Ofenoberfläche. Daher wird empfohlen, für ausreichende Lüftung zu sorgen, bis dieser Vorgang abgeschlossen ist.**
- Der Ofen ist nicht für den Betrieb mit geöffneter Ofentür konzipiert.
- Der Ofen ist für den diskontinuierlichen Heizbetrieb mit Unterbrechungen zum Nachlegen von Brennstoff ausgelegt.
- Zum Anzünden wird die Verwendung von Papier und Kleinholz bzw. Ofenanzündern empfohlen. Nach dem Anzünden ist der Ofen vorerst mit zwei 1 bis 1.3 kg schweren Holzscheiten zu beschicken. Die Zugklappen des Ofens müssen dabei vollständig geöffnet sein. Erforderlichenfalls kann zu Beginn auch die Aschenlade geöffnet werden.
- Sobald der Ofen gut brennt, schließen Sie die Aschenlade vollständig (falls Sie diese geöffnet haben) und regeln Sie die Brandstärke durch mehr oder weniger starkes Öffnen bzw. Schließen der Zugklappen.
- Zur Erreichung der Nennleistung des Ofens ist in Abständen von jeweils 45 Min. ca. 1,58 kg Brennholz nachzulegen. Die Holzscheite sind waagrecht mit einem leichten Abstand zueinander einzulegen, um eine gute Verbrennung zu gewährleisten. Warten Sie mit dem Nachlegen, bis das Brennholz im Ofen bis auf einen Glutrest verbrannt ist.
- Zur Erzielung einer langsamen Brandgeschwindigkeit ist die Brandstärke mit den Zugklappen entsprechend einzustellen. Die Zugklappen müssen immer für den Zutritt von Verbrennungsluft frei sein.
- Die Messingteile nehmen nach den ersten Heiztagen einen kupferfarbenen Ton an. Dies ist normal.
- Die Glasfaserdichtung des Sichtfensters zerfällt mit der Zeit. Obwohl der Ofen auch ohne diese Dichtung betrieben werden kann, wird empfohlen, die Dichtung vor Beginn jeder Heizsaison zu ersetzen.
- Die untere Schublade dient zum Entnehmen der Asche. Um Schäden am Feuerrost zu vermeiden, leeren Sie diese regelmäßig aus, bevor sie zu voll ist. Vorsicht: Die Asche kann bis zu 24 Stunden nach dem Abbrennen noch heiß sein.

- Beim Nachlegen von Holz oder beim Entfernen der Asche kann etwas Asche auf den Rahmen fallen. Um zu verhindern, dass diese Asche vom Lüfter aufgenommen und von oben ausgestoßen wird, stellen Sie den Lüfter auf Position 0 oder I, bevor Sie die Tür öffnen. Sobald die Tür geschlossen ist, können Sie die gewünschte Position einstellen.

- Öffnen Sie die Ofentür nur langsam, um das Austreten von Rauch zu vermeiden. Öffnen Sie die Ofentür niemals bei geschlossenen Zugklappen. Die Ofentür sollte nur zum Nachlegen von geeignetem Heizmaterial geöffnet werden.

- Sichtfenster, Messingteile sowie der Ofen insgesamt können sehr hohe Temperaturen erreichen. Vorsicht: Verbrennungsgefahr! Verwenden Sie zum Anfassen der genannten Teile den mitgelieferten Handschuh.

- Halten Sie Kinder vom brennenden Ofen fern, um Brandverletzungen zu vermeiden. - Falls das Anzünden Schwierigkeiten bereitet (in der Übergangszeit, bei kaltem Schornstein etc.), kann vor dem Einlegen von Holz ein kleines Feuer mit zerknülltem Papier entfacht werden.

- Bei Überhitzung des Ofens schließen Sie die Zugklappen, um die Brandstärke zu verringern.

- Sollten Probleme beim Betrieb des Ofens auftreten, schließen Sie die Zugklappen und wenden Sie sich an den Hersteller.

WARTUNG

- Es wird empfohlen, das Sichtfenster regelmäßig zu reinigen, damit es nicht vom Russ geschwärzt wird. Zu diesem Zweck sind im Handel Spezialreiniger erhältlich. Verwenden Sie dazu niemals Wasser. Versuchen Sie nie, den Ofen während des Heizbetriebs zu reinigen.

- Auch die Rauchrohranschlüsse sind regelmäßig zu reinigen und nach einem längeren Stillstand des Ofens vor Inbetriebnahme desselben auf freien Rauchdurchzug zu überprüfen. Vor Beginn der Heizsaison sollte die Installation von einem Fachmann überprüft werden.

- Bei einem Kaminbrand schließen Sie nach Möglichkeit die Luftzufuhr und verständigen Sie umgehend die Feuerwehr.

- Verwenden Sie ausschließlich vom Hersteller empfohlene Ersatzteile.

- Der Schnur vom Glass ist tragen vorbehalten. In diesem Fall soll man der Schnur ersetzen für eine neue.

GEWÄHRLEISTUNG

Der von Ihnen gekaufte Ofen ist ein sorgfältig hergestelltes, hochwertiges Produkt. Sollten Sie dennoch irgend einen Schaden feststellen, so setzen Sie sich bitte mit dem Händler in Verbindung. Falls der Händler das Problem nicht lösen kann, wird er sich mit uns in Verbindung setzen und ggf. den Ofen einsenden. Unser Unternehmen ersetzt alle schadhaften Teile bis fünf Jahre ab Kaufdatum gratis. Die Transportkosten gehen jedoch zu Lasten des Kunden.

Wenn eine Verformung im Inneren der Brennkammer auftritt, ist dies auf eine Überhitzung des Geräts zurückzuführen und wird daher NICHT durch die Garantie abgedeckt.

Da dieses Gerät getestet wurde von einem zertifizierten Labor werden die folgenden Teile nicht durch die Garantie abgedeckt:

- Scheibe
- Rundrost
- Vermiculite
- Griffe, Knöpfe, etc.

Im Inneren der Verpackung befindet sich ein Qualitätskontrollblatt. Wir bitten Sie, dieses im Reklamationsfall dem Händler auszuhändigen.

Da dieses Gerät von einem zugelassenen Labor getestet wurde und wir eine 100%ige Qualitätskontrolle der hergestellten Geräte durchführen, indem wir in unseren Einrichtungen testen, dass die elektrische Baugruppe vor dem Versand korrekt funktioniert, erstreckt sich die Garantie nicht auf diese elektrische Baugruppe (Lüfter und Verkabelung).

EIGENSCHAFTEN DES VENTILATORS

Dieses Modell ist mit einem Tangentialventilator mit einem Volumenstrom von 170 m³/h ausgestattet, der kalte Luft aus dem unteren Teil des Geräts ansaugt, diese Luft umgibt das Gerät und erwärmt es, und die warme Luft wird durch die Lamellen (oder Schlitze) im oberen Teil des Geräts ausgestoßen.

Der Ventilator hat einen Thermostat, um seine Temperatur zu regulieren, damit er nicht überhitzt. Dieser Thermostat schaltet den Ventilator automatisch ab einer Temperatur von 50°C ein.


Der Ofen hat einen Schalter mit drei Positionen, um den Heißluftstrom zu regulieren, der aus dem Ofen kommt.

- Auf Position 0 ist der Ventilator ausgeschaltet, aber wenn die Temperatur 50 °C erreicht, lässt der Thermostat den Ventilator anlaufen und dreht sich in Position I auf Geschwindigkeit.
- Auf Position I läuft der Ventilator mit 60 % der maximalen Drehzahl.
- Auf Position II läuft der Ventilator mit maximaler Drehzahl.

WICHTIG: Der Ventilator muss **IMMER** an das Stromnetz angeschlossen sein, um einen Ausfall durch Überhitzung zu vermeiden.

ABMESSUNGEN UND TECHNISCHE DATEN

- Höhe	612 mm	- Nennheizleist	9.8 kW
- Breite.....	756 mm	- Wirkungsgrad	80.7 %
- Tiefe.....	539 mm	- CO-gehalt	0.10 %
- Gewicht	139 Kg	- Erforderl. Zug zur Erreichung der Nennleistung	12 Pa
- Feuerungstür	600 x 370 mm	- Abgasmassenstrom	7.76 g/s
- Rauchanschluss	150 mm	- Abgastemperatur.....	233 °C
- Feuerrost aus Gusseisen		- Mindestabstand zu brennbaren Materialien	
- Hitzeschutzanstrich bis 800 °C hitzebeständig		Seitlich 60 cm	
- Glaskeramikfenster hitzebeständig bis 750 °C		Hinten 60 cm	
- Holzscheite bis 80 cm Länge		Vorne 70 cm	
		- Beheizbarer Raum (ca.).....	290 m ³

 EN 13240: 2001 & A2: 2004		HIJO DE MIGUEL PANADERO P.I. CAMPOLLANO AVENIDA 5ª, 13-15 02007 ALBACETE - SPAIN
WOODSTOVE / POÊLE A BOIS / KAMINOFEN.....		19
<small>FREESTANDING ROOMHEATER, FIRED BY SOLID FUEL / POÊLE INDEPENDANT A COMBUSTIBLE SOLIDE UNABHÄNGIGER OFEN FÜR FESTBRENNSTOFFE</small>		
HB / CB / LMH-80 / LMI-80		
CERTIFICATE / RAPPORT D'ESSAI.....		17 / 15468-2150
DECLARATION OF PERFORMANCE / DECLARATION DES PERFORMANCES / LEISTUNGSERKLÄRUNG		39-13896/1/T
"19015 / 19040 / 19016 / 19041"		
NOTIFIED BODY / L'ORGANISME NOTIFIÉ / NOTIFIZIERTEN STELLE		0370
		1015
Thermal output / Puissance calorifique / Nennleistung.....		9.8 kW
Energy efficiency / Rendement énergétique / Wirkungsgrad		80.7 %
Emission of CO in combustion products / Emission de CO par les produits de combustion		0.10 %
Co-Emission der Verbrennungsprodukte		
Flue gas temperature / Températures des produits de combustion		233 °C
Abgastemperatur		
Distance to adjacent combustible materials / Distance par rapport aux matériaux combustibles		Back 60 cm
Mindestabstand zu brennbaren Materialien		Side 60 cm
		Front 70 cm
Dust concentration at 13% O ₂		30 mg / Nm ³
Concentration de poussières à 13% d' O ₂		
Feinstaub bei 13% O ₂		
Fuel types		Firewood and briquetted wood
Type de combustible		Bois et briquelettes
Brennstoffe		Brennholz und Holzbriketts
Serial Number / Numéro de série / Seriennummer		

Technical documentation according to Regulation EU 2015/1185

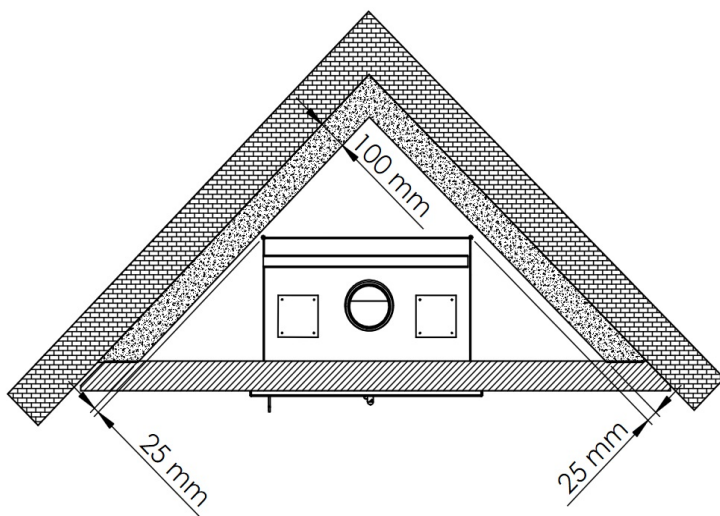
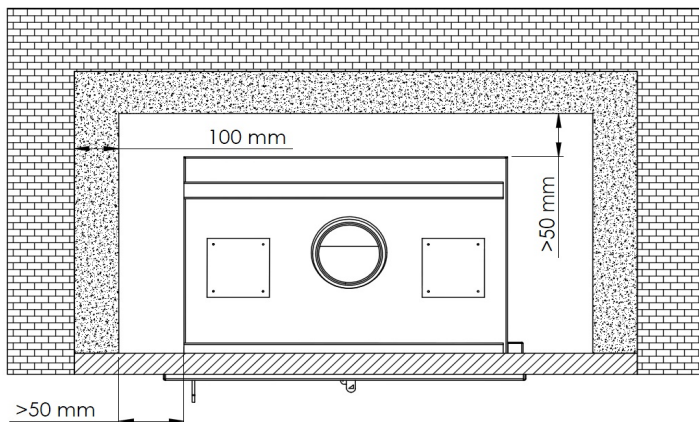
Manufacturer	Panadero AB, S.L
Address	Avenida 5ª 13-15, 02007 Albacete, Spain
E-Mail	info@panadero.com
Website	www.panadero.com
Telephone	+34 967 59 24 00

THIS DECLARATION OF CONFORMITY IS ISSUED FOR THE FOLLOWING PRODUCT:							
Model identifiers							
Equivalent models							
Notified body and test reports		Nº 0370 17/15468-2150 17/15468-2151 ; 39-13896/1/T					
Harmonized technical specification		EN 13229:2001 & A2:2004; EN 16510-1					
Other applied standards/technical specification		CEN/TS 15883:2010					
Indirect heating functionality:		No					
Indirect heat output		0 kW					
Direct heat output		9,8 kW					
Efficiency at nominal heat output		80,7 %					
Energy Efficiency Index (EEI):		107,02					
Seasonal space heating energy efficiency		70,7%					
FUEL	PREFERRED FUEL	OTHER SUITABLE FUEL	η_s (%)	EMISSIONS AT NOMINAL HEAT OUTPUT			
				PM	OGC mg/ Nm ³ (13% O ₂)	CO	NO _x
Wood logs with moisture content $\leq 20\%$	Yes	No	80,7	30	70	1250	160
Compressed wood with moisture content $\leq 12\%$	No	Yes					
				EMISSIONS AT NOMINAL HEAT OUTPUT			
				PM	OGC mg/ Nm ³ (13% O)	CO	NO _x
				N/A	N/A	N/A	N/A
CHARACTERISTICS WHEN OPERATING WITH THE PREFERRED FUEL							
ITEM	SYMBOL	VALUE	UNIT	ITEM	SYMBOL	VALUE	UNIT
HEAT OUTPUT				USEFUL EFFICIENCY, BASED ON NET CALORIFIC VALUE (NCV)			
Nominal heat output:	P_{nom}	9,8	kW	Useful efficiency at nominal heat output	$\eta_{th, nom}$	80,7	%
Minimum heat output	P_{min}	N/A.	kW	Useful efficiency at minimum heat output	$\eta_{th, min}$	N/A	%
AUXILIARY ELECTRICITY CONSUMPTION				TYPE OF HEAT OUTPUT/ROOM TEMPERATURE CONTROL			
At nominal heat output	e_{lmax}	N/A	kW	Single stage heat output, no room temperature control			Yes
At minimum heat output	e_{lmin}	N/A	kW	Two or more manual stages, no room temperature control			No
In standby mode	e_{lsB}	N/A	kW	With mechanic thermostat room temperature control			No
				With electronic room temperature control			No
				With electronic room temperature control plus day timer			No
				With electronic room temperature control plus week timer			No
POWER REQUIEREMENT OF THE PILOT FLAME				OTHER CONTROL OPTIONS			
Pilot flame power requirement	P_{pilot}	N/A	kW	Room temperature control, with presence detection			No
				Room temperature control, with open window detection			No
				With distance control option			No
Specific precautions for assembly, installation, or maintenance.		Fire protection and safety distances to combustible building materials must be observed under all circumstances. A sufficient supply of combustion air must always be guaranteed. Air suction systems can interfere with the combustion air supply.					

Ficha de producto acorde con la normativa de UE 2015/1186

EN Product sheet according to the regulation EU 2015/1186 DE Produktkarte gemäss EU-Vorschriften 2015/1186 FR Fiche de produit conformément le Règlement EU 2015/1186 IT Scheda prodotto secondo il regolamento UE 2015/1186 NL Productfiche volgens verordening EU 2015/1186 PL Karta produktu zgodnie z rozporządzeniem UE 2015/1186 CZ Informační list výrobku v souladu s nařízením EU 2015/1186 SK Informačný list výrobku v súlade s nariadením EU 2015/1186 SL Podatkovna kartica v skladu z uredbo EU 2015/1186 HR Informacijski list u skladu sa uredbom EU 2015/1186 HU Terméklap a 2015/1185 –as UE előírásnak megfelelően RO Fișa produsului în conformitate cu Regulamentul UE 2015/1186 GR Φύλλο προϊόντος σύμφωνα με τον κανονισμό ΕΕ 2015/1186

1	Nombre del proveedor (EN) Name of the supplier (DE) Name des Lieferanten (FR) Le nom du fournisseur (IT) Il nome del fornitore (NL) Naam van de leverancier (PL) Nazwa dostawcy (CZ) Jméno dodavatele (SK) Meno dodávateľa (SL) Ime dobavitelja (HR) Naziv dobavljača (HU) Beszállító neve (RO) Denumirea furnizorului (GR) Όνομα του προμηθευτή	PANADERO AB S.L.		
2	Identificación del modelo (EN) Model identification (DE) Modell-Identifikation (FR) La référence du modèle (IT) Identificativo del modello del fornitore (NL) Model identificatie (PL) Identyfikator modelu dostawcy (CZ) Identifikační značka modelu (SK) Identifikačná značka modelu (SL) Identifikacijska oznaka modela (HR) Identifikacijska oznaka modela (HU) Modell azonosító (RO) Identificatorul de model al furnizorului (GR) Ταυτοποίηση μοντέλου			
3	Clasificación energética (EN) Energy efficiency class (DE) Energie-Klassifizierung (FR) La classe d'efficacité énergétique (IT) La classe di efficienza energetica del modello (NL) Energie-efficiëntie klasse (PL) Klasa efektywności energetycznej (CZ) Třída energetické účinnosti (SK) Energetická trieda účinnosti (SL) Razred energijske učinkovitosti (HR) Razred energetske učinkovitosti (HU) Energetikai besorolás (RO) Clasa de eficiență energetică (GR) Κατηγορία ενεργειακής απόδοσης	A+		
4	Potencia calorífica directa (EN) Direct heat output (DE) Direkte Heizleistung (FR) La puissance thermique directe (IT) La potenza termica diretta (NL) Directe warmteafgifte (PL) Bezpośrednia moc cieplna produktu (CZ) Přímý tepelný výkon (SK) Priamy tepelný výkon (SL) Neposredna izhodna toplotna moč (HR) Izravni toplinski učinak (HU) Közvetlen hőteljesítmény (RO) Puterea termică directă (GR) Άμεση θερμική ισχύς	kW	9,8	
5	Potencia calorífica indirecta (EN) Indirect heat output (DE) Indirekte Heizleistung (FR) La puissance thermique indirecte (IT) La potenza termica indiretta (NL) Indirecte warmteafgifte (PL) Pośrednia moc cieplna produktu (CZ) Nepřímý tepelný výkon produktu (SK) Nepriamy tepelný výkon produktu (SL) Posredna izhodna toplotna moč (HR) Neizravni toplinski učinak (HU) Közvetett hőteljesítmény (RO) Puterea termică indirectă (GR) Έμμεση θερμική ισχύς	kW	/	
6	Índice de eficiencia energética (EN) Energy efficiency index (DE) Energie-Effizienz-Index (FR) L'indice d'efficacité énergétique (IT) Indice di efficienza energetica (NL) Energie-efficiëntie index (PL) Współczynnik efektywności energetycznej (CZ) Index energetické účinnosti (SK) Index energetickej účinnosti (SL) Indeks energijske učinkovitosti (HR) Indeks energetske učinkovitosti (HU) Energiahatékonysági index (RO) Indicele de eficiență energetică (GR) Δείκτης ενεργειακής απόδοσης	EEl	107,02	
7	Eficiencia energética a potencia nominal (EN) Energy efficiency at nominal heat output (DE) Energieeffizienz bei Nennleistung (FR) le rendement utile à la puissance thermique nominale (IT) Efficienza utile alla potenza termica nominale (NL) Energie-efficiëntie bij nominaal vermogen (PL) Sprawność użytkowa przy nominalnej mocy cieplnej (CZ) Energetická účinnost při jmenovitém tepelném výkonu (SK) Energetická účinnosť pri nominálnom tepelnom výkone (SL) Izkoristek energije pri nazivni izhodni toplotni moči (HR) Energetska učinkovitost pri nazivnom toplinskom učinku (HU) Energiahatékonyság névleges teljesítménynél (RO) Randamentul energetic util la putere termică nominală (GR) Οφέλιμη απόδοση της ονομαστικής θερμικής ισχύος	$\eta_{th,nom}$	%	80,7
8	Eficiencia energética a carga mínima (EN) Energy efficiency at minimum load (DE) Energieeffizienz bei minimaler Belastung (FR) Le rendement utile à la charge minimale (IT) Efficienza utile al carico minimo (NL) Energie-efficiëntie bij minimale lading (PL) Sprawność użytkowa przy minimalnym obciążeniu (CZ) Energetická účinnost při minimální zátěži (SK) Energetická účinnosť pri minimálnej záťaži (SL) Izkoristek energije pri najmanjši obremenitvi (HR) Energetska učinkovitost pri minimalnom toplinskom opterečenju (HU) Energiahatékonyság minimális terhelésnél (RO) Randamentul energetic util la sarcină minimă (GR) Οφέλιμη απόδοση σε ελάχιστο φορτίο	$\eta_{th,min}$	%	/
9	Instalación y mantenimiento del aparato debe ser llevado a cabo conforme del manual de instrucciones (EN) The installation and maintenance of the stove must be carried out in accordance with the instruction manual (DE) Die Installation und Wartung des Gerätes muss gemäss der Betriebsanleitung durchgeführt werden. (FR) L'installation et l'entretien de l'appareil doivent être effectués conformément au manuel (IT) L'installazione e la manutenzione dell'impianto devono essere eseguite secondo istruzioni (NL) De installatie en het onderhoud van de kachel moeten worden uitgevoerd in overeenstemming met de handleiding (PL) Instalacja i utrzymanie należy przeprowadzić zgodnie z instrukcją obsługi (CZ) Instalace a údržba kamen musí být provedena v souladu s návodem (SK) Inštalácia a údržba kachiel musí byť prevedená v súlade s návodom (SL) Namestitve in vzdrževanje je treba opraviti v skladu z navodili (HR) Ugradnja i održavanje moraju biti provedeni u skladu s uputama (HU) A telepítés és a karbantartás a kézikönyvnek megfelelően kell történni (RO) Instalarea și întreținerea trebuie făcută în concordanță cu instrucțiunile manualului (GR) Η εγκατάσταση και η συντήρηση της σόμπας πρέπει να γίνεται σύμφωνα με το εγχειρίδιο οδηγιών χρήσης.			



INSULATING MATERIAL
RESISTANT TO HIGH T^a
(ROCKWOOL)

CECI EST UN ISOLANT RESISTANT
A HAUTE T^a (LAINE DE ROCHE)

MATERIAL AISLANTE RESISTENTE
A ALTAS T^a (LANA DE ROCA)

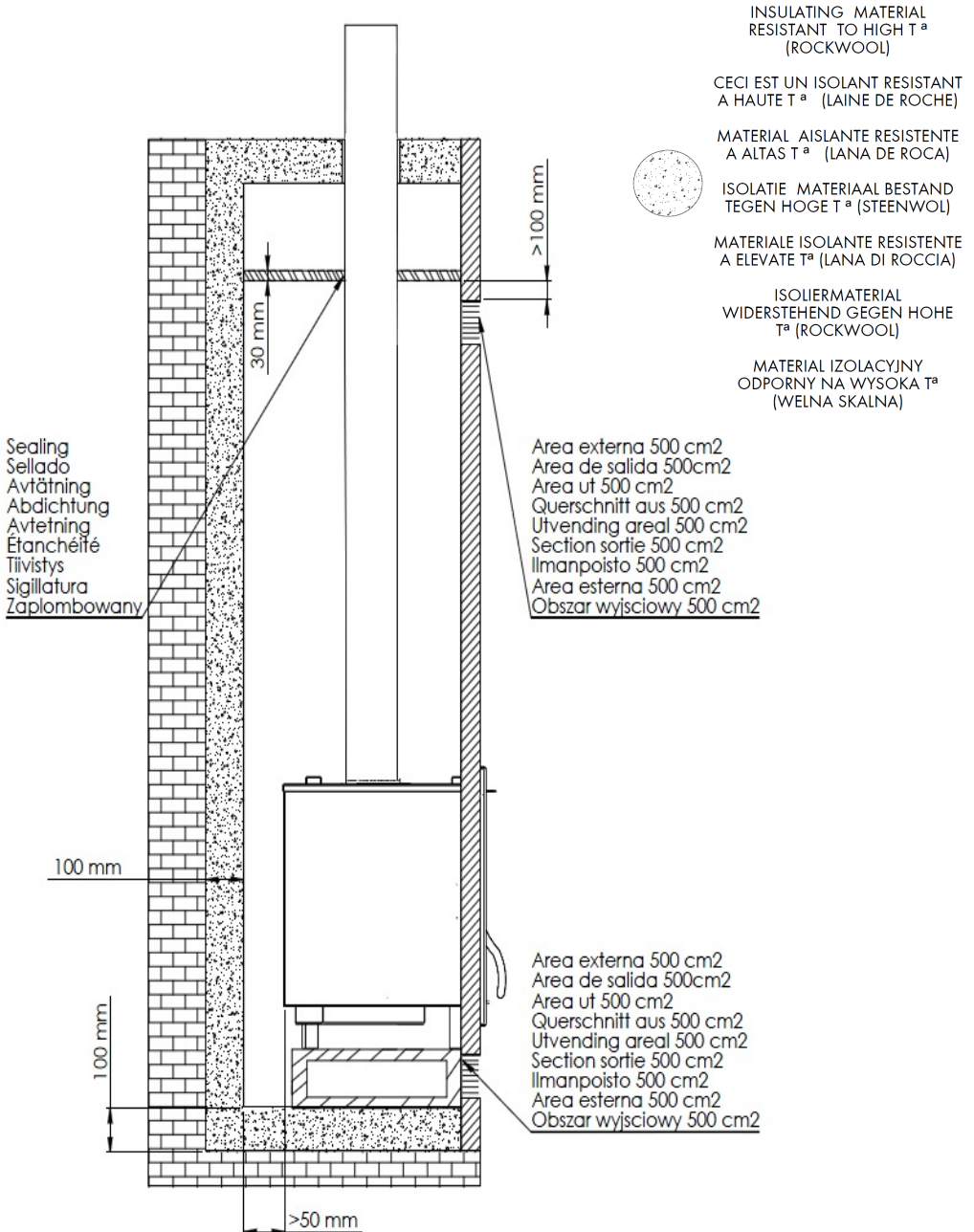
ISOLATIE MATERIAAL BESTAND
TEGEN HOGE T^a (STEENWOL)

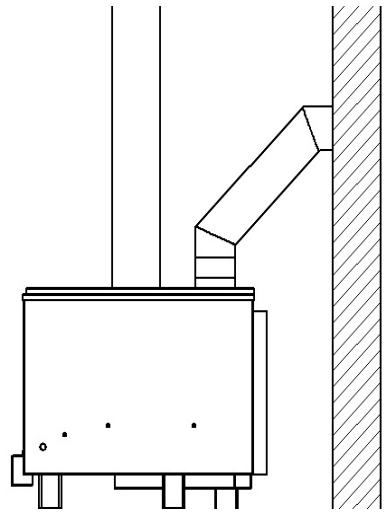
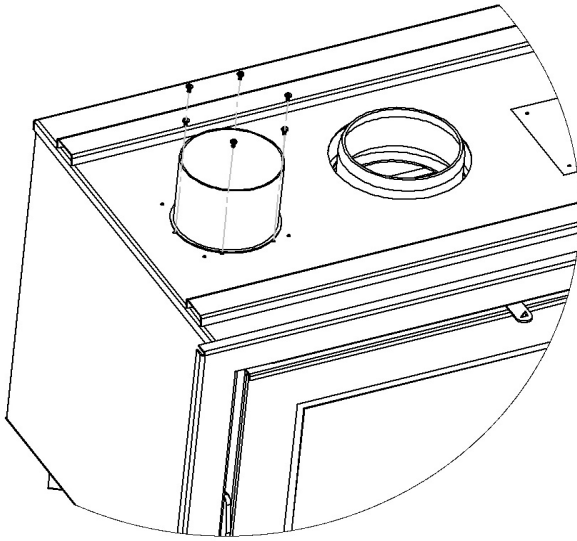
MATERIALE ISOLANTE RESISTENTE
A ELEVATE T^a (LANA DI ROCCIA)

ISOLIERMATERIAL
WIDERSTEHEND GEGEN HOHE
T^a (ROCKWOOL)

MATERIAL IZOLACYJNY
ODPORNY NA WYSOKA T^a
(WELNA SKALNA)







Every insert goes with 2 connectors, included inside, which are used to connect tubes to the appliance, by which hot air can be transferred to another room. The connectors are installed by removing the 2 lids on the upper surface of the insert (held into place by 4 screws) and fixing them in the same as the lids. (This time with 6 screws.)

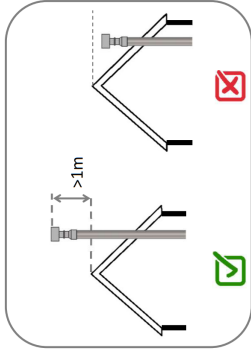
A l'intérieur de chaque appareil se trouvent deux raccords qui servent à connecter le insert à des tuyaux, et envoyer ainsi de l'air chaud dans une autre pièce. Pour installer ces deux raccords, il faut retirer les deux caches apparents qui se trouvent sur la partie supérieure du insert (fixé par quatre vis) et installer ensuite les deux raccords avec six vis.

Dentro de cada aparato se incluyen dos conectores para conectar el cassette mediante tubos, y así enviar aire caliente a otra habitación. Estos conectores se instalan quitando las dos tapas que se pueden ver en la parte superior del cassette (unidas por 4 tornillos), y colocar ahí los dos conectores mediante 6 tornillos.

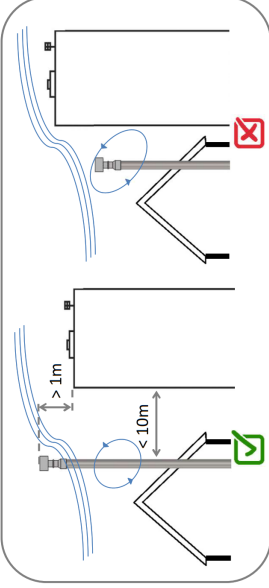
In elk toestel bevinden zich 2 verbindingstukken om buizen op de kachel aan te sluiten en op deze manier warme lucht naar een ander vertrek te leiden. Deze connectoren kunnen worden geïnstalleerd door de 2 deksels bovenaan de kachel (bevestigd met telkens 4 schroeven), te verwijderen en op dezelfde plaats de verbindingstukken te bevestigen met 6 schroeven.

Dentro di ogni apparecchio si includono due connettori che connettano l'inserto a due tubi flessibili, e così poter inviare dell'aria calda a due stanze. Questi connettori si installano togliendo i due coperchi che si trovano nella parte superiore dell'inserto, until con 4 viti, collocate lì i due connettori.

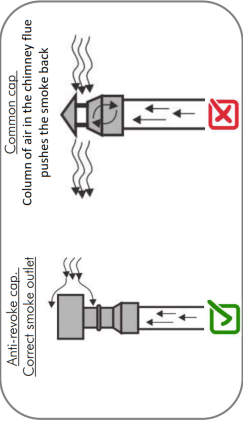
1°.- Chimney cap above the roof ridge



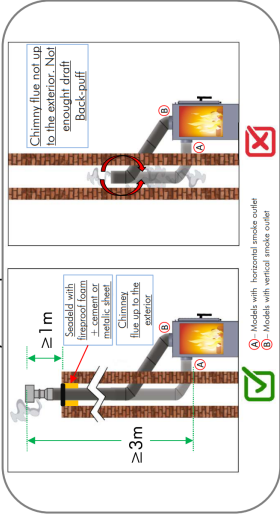
2°.- Chimney cap above the highest part of the roof ridge but with a taller building close



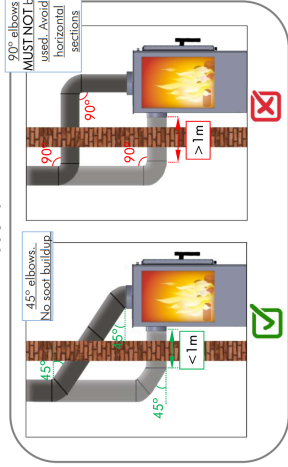
3°.- Chimney cap installed at the end of the smoke outlet



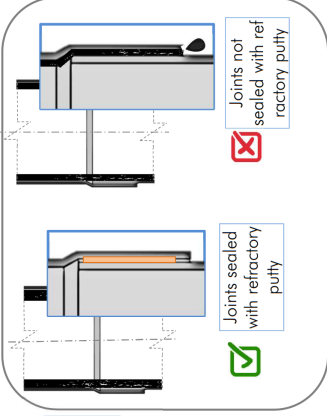
4°.- Installation in masonry chimney, chimney flue up to the exterior.



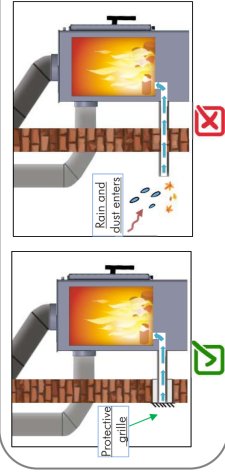
5°.- Soot buildup because of an horizontal section



6°.- Joint in tube connection

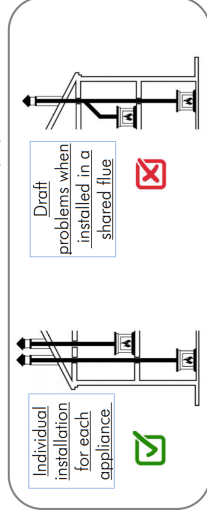


7°.- External air intake installation



External air intake vents air into the combustion chamber. This is mandatory to use in buildings that are very airtight (buildings with non-closable vents). If external air intake cannot be used then there must be an space of at least 10 cm between the stove and the rear wall so the appliance functions correctly.


8°.- Installation in community systems




EN HOW TO INSTALL A PANADERO STOVE 


FR COMMENT INSTALLER UN POËLE PANADERO 

ES CÓMO INSTALAR UNA ESTUFA PANADERO 

NL HOE INSTALLEER JE EEN HOUTKACHEL PANADERO 

PT COMO INSTALAR UMA SALAMANDRA PANADERO 

IT COME INSTALLARE UNA STUFA PANADERO 

DE WIE EINEN PANADERO KAMINOFEN INSTALLIERT WERDEN MUSS 

PL JAK POPRAWNIE ZAINSTALOWAC PIEC KOMINKOWY PANADERO 

CZ JAK INSTALOVAT KAMNA PANADERO 

HU HOGYAN SZERELJÜK FEL EGY PANADERO KANDALLÓT 

RU КАК УСТАНОВИТЬ ПЕЧЬ PANADERO 

ZEICHENGENEHMIGUNG MARKS APPROVAL

Hylec-APL Ltd.
6 Stanton Close
Finedon Road Industrial Estate
WELLINGBROUGH
NN8 4HN
UNITED KINGDOM

ist berechtigt, für ihr Produkt /
is authorized to use for their product

Verbindungsmaterial, Klemme mit Schraubklemmstelle
Connecting device, terminal with screw-type clamping unit

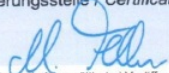
die hier abgebildeten markenrechtlich geschützten Zeichen
für die ab Blatt 2 aufgeführten Typen zu benutzen /
the legally protected Marks as shown below for the types referred to on page 2 ff.



Geprüft und zertifiziert nach /
Tested and certified according to

DIN EN 60998-1 (VDE 0613 Teil 1):2005-03; EN 60998-1:2004
DIN EN 60998-2-1 (VDE 0613 Teil 2-1):2005-03; EN 60998-2-1:2004

VDE Prüf- und Zertifizierungsinstitut GmbH
VDE Testing and Certification Institute
Zertifizierungsstelle / Certification


VDE Zertifikate sind nur gültig bei Veröffentlichung unter:
VDE certificates are valid only when published on:

VDE

Aktenzeichen: 5015701-1441-0001 / 192685

File ref.:

Ausweis-Nr. 40039146

Certificate No.

Weitere Bedingungen siehe Rückseite und Folgebblätter /
further conditions see overleaf and following pages

Offenbach, 2014-01-02

(letzte Änderung / updated 2014-01-06)

<http://www.vde.com/zertifikat>

<http://www.vde.com/certificate>

Blatt 1
Page



ESPECIFICATIONS T24B048BXR2-13

CONTACT TYPE : NORMALLY OPEN

ACTION TEMP : $48 \pm 5^{\circ}\text{C}$

RESET TEMP: $35 \pm 8^{\circ}\text{C}$

TERMINAL SIZE: AMP # 250 TAB.

CIRCUIT RESISTANCE : 100MΩ MIN AT DC 500V.

DIELECTRIC STRENGTH : AC 1000V FOR ONE MINUTE OR 1800V FOR ONE SEC.

ELECTRIC RATING : 16A 250V/15A 125VAC- 10A 250VAC (RESISTIVE LOAD)

APPROVALS : UL, CUL, ENEC17

OPERATING LIFE :

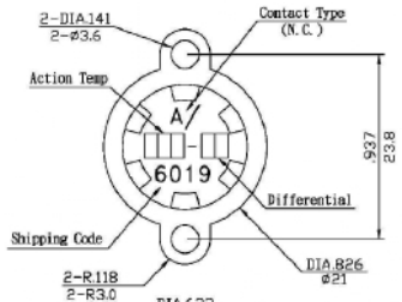
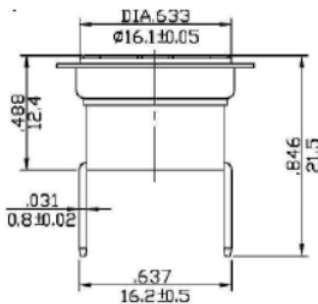
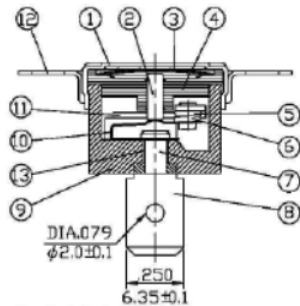
UL / CUL-100,000 CICLES 10A 250VAC/15 125VAC

ENEC17(NEMKO)-100,000 CYCLES 10A 250VAC/15 125VAC

10,000 CUCLES 16A 250VAC.

DESCRIPTION PARTS & MATERIAL

- 1.- SENSIG CAP : ALUMINUM.
- 2.- ACTUATING PIN : CERAMIC.
- 3.- BITETAL DISC : BIMETAL.
- 4.- REATINER : PPS : UL 94V-0.
- 5.- CONTACT F : SILVER ALLOY.
- 6.- CONTACT R : SILVER ALLOY.
- 7.- REVIT-S : COOPER.
- 8.- TERMINAL : BRASS TIN PLATED.
- 9.- CASE : PPS
- 10.- MOVABLE ARM ; BERYLLIUM COOPER.
- 11.- STATIONERY ARM ; BRASS,
- 12.- BRACKET ; STELL NICKEL PLATED.
- 13.- TUBE ; BRONZE.



Thermostat : T24B048BXR2-13		CODE: 101214
	DATE: 29/11/2013	Desing:
	SCALE: X	UNIT: mm
	DRAWN BY:	CHECKED BY:
	<i>Josep MARD A</i>	JOSEP DACHS

Aluminium Housed, Chassis Mount

Series PHA

Key Features

- External Aluminium Encasing.
- Power Rating 25W, 50W.
- Excellent Stability in Operation.
- Non-Inductive and Close Tolerance Types.
- All Welded Construction for Maximum Reliability.
- Moulded Construction for Excellent Environmental Protection
- Reference Standards
 - BS CECC 40203-001 • MIL-R-18546



Electrical Specifications and Environmental Characteristics

Electrical Specifications	PHA25	PHA50
Tolerance	$\pm 0.05\%$, $\pm 0.1\%$, $\pm 0.25\%$, $\pm 0.5\%$, $\pm 1\%$, $\pm 2\%$, $\pm 3\%$, $\pm 5\%$, $\pm 10\%$	
TCR	For $< 10\Omega$: $< \pm 100\text{ppm}/^\circ\text{C}$; For $> 10\Omega$: $< \pm 50\text{ppm}/^\circ\text{C}$	
Resistance Range	R051 - 20K	R010 - 100K
Dielectric Strength	2500 V	2500 V
Max. Working Voltage	550V	1250V
Surface Temp. Rise Mounted on a Std. Heat Sink in $^\circ\text{C} / \text{Watt}$	4	2.9
Std. Heat Sink Area	535	535
Std. Heat Sink Thickness	1	1
Approx. Weight	12.5	29
Dissipation @ 25°C (With Heat Sink)	25	50
Dissipation @ 25°C (Without Heat Sink)	12.5	20
Stability at Rated Power	$\pm 1\%$	$\pm 1\%$
CECC Style Reference	CA	DA
MIL - Style	RE70	RE75
Climatic Category	55/200/56	55/200/56

Performance Characteristics

Test Methods	Test Conditions	Test Limits
Endurance at Room Temperature	As per BS-CECC (1.5Hrs ON, 0.5Hrs OFF) for 1000Hrs.	$\Delta R < 1\% + 0R05$
Short Term Overload	5 x Rated Power or Isolation Voltage (Lesser of the two Voltages)	$\Delta R < 1\% + 0R05$
Robustness of Terminations	As per BS-CECC Clause 4.14.2, 20N Tensile Force	$\Delta R < 0.25\% + 0R05$
Resistance to Soldering Heat	As per BS-CECC Clause 4.15.2, 260°C , 10 Seconds	$\Delta R < 0.25\% + 0R05$
Rapid Change of Temperature	$-55^\circ\text{C}/200^\circ\text{C}$, 5 Cycles as per BS-CECC Clause 4.16	$\Delta R < 0.25\% + 0R05$
Bump	4000 Bumps at 40g as per BS-CECC Clause 4.17	$\Delta R < 0.25\% + 0R05$
Vibration	10Hz to 500Hz, 0.75mm Amplitude or 10g, 6 hrs	$\Delta R < 0.25\% + 0R05$
Damp Heat Steady State	90-95% RH, 40°C , 56 Days as per BS-CECC Clause 4.21	$\Delta R < 1\% + 0R05$

PID:
02227000
CID:
C.1993.5189

Certificato di approvazione *Approval certificate*

IMQ, ente di certificazione accreditato, autorizza la ditta *IMQ, accredited certification body, grants to*

**EVEREL GROUP SPA
VIA CAVOUR 9
37067 VALEGGIO SUL MINCIO VR**

all'uso del marchio

the licence to use the mark

ENEC 03,IMQ

Il presente certificato è stato rilasciato sotto la presunzione e subordinatamente al fatto che il concessionario detenga tutti i necessari diritti legali relativi ai prodotti presentati per le prove e la certificazione, descritti nell'Allegato al presente certificato; inoltre, esso è soggetto alle condizioni previste nel "Regolamento IMQ - Certificazione prodotto".



per i seguenti prodotti

***Interruttori per apparecchi
(Serie B1)***

for the following products

***Switches for appliances
(Series B1)***

This certificate has been issued under the presumption and conditional on the fact that the licensee holds all necessary legal rights with regard to the products presented for testing and certification, and listed in the annex to this certificate; moreover, it is subjected to the conditions foreseen by "IMQ Rules - Product Certification".

Emesso il / Issued on:

1994-03-25

Data di aggiornamento / Updated on

2011-01-14

Sostituisce / Replaces

2009-03-04

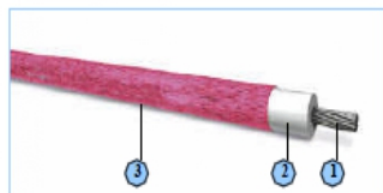
A handwritten signature in black ink, appearing to read 'Augusto Cicodi'. Below the signature is the logo for IMQ S.p.A., which includes the letters 'IMQ' in a bold, sans-serif font followed by 'S.p.A.' in a smaller font.



CABLES DE SILICONA CON CUBIERTA DE FIBRA DE VIDRIO /
SINGLE CORE SILICONE RUBBER INSULATED CABLES WITH
FIBERGLASS BRAID

Referencia:
SILAM-500FV

CABLES DE SILICONA UNIPOLARES FLEXIBLES CON FIBRA DE VIDRIO SILAM-500FV



Empaquetado / Packing

Madeja / Coil Bobina / Spool Bidón / Barrel



Tensión de servicio / Nominal Voltage	500 V.
Tensión ensayo / Test Voltage	2000 V.
Tª de servicio / Operating Temperature	-60° / +180°C. (Max. 250°C)
Conductor / Copper Conductor	Cobre Pulido o Estañado / Bare or Tinned Copper CEI 228, HD 383 y UNE 21.022 Clase 5/ Class 5
Aislamiento / Insulation	Elastómero de Silicona / Silicon Elastomer "EI2" HD 22.1 S3 y UNE 21.027/1
Normas de referencia / Standars	HD 22.1 S3 y UNE- EN 21.027-1
Cubierta	Trenza de Fibra de Vidrio / Fiberglass Braid

Sección / Cross Section	Composición / Conductor construction	Resistencia Eléctrica / Electric Resistance	Diámetro Exterior Silicona / Silicone Overall diameter	Espesor aislamiento silicona / Silicone Insulation Thickness	Diám. ext. Cable / Cable Overall diameter	Tensión perforación / Breakdown voltage
(mm ²)	(Nºhilos x Ø)	(Ω/Km)	(mm)	(mm)	(mm)	(Volt.)
0.25	8 x 0.20	< 78	1.7	0.5	2	> 3.000
0.50	16 x 0.20	< 40.1	2,1	0.6	2.4	> 3.000
0.75	24 x 0.20	< 26.7	2,3	0.6	2.6	> 3.000
1	32 x 0.20	< 20.0	2,5	0.6	2.8	> 3.000
1.5	30 x 0.25	< 13.7	2.8	0.6	3.1	> 3.000
2.5	50 x 0.25	< 8.21	3,4	0.7	3.7	> 3.000
4	56 x 0.30	< 5.09	4,2	0.8	4.5	> 5.000
6	84 x 0.30	< 3.39	5.0	0.8	5.3	> 5.000

Installation and safety instructions for AC/DC built-in devices



ebmpapst

The device type and date of manufacture (week/year) can be found on the device rating plate. In the event of any queries about the device, please quote all the details given on the rating plate.

For further information please visit:
www.ebmpapst.com

ebm-papst Landshut GmbH

Hofmark-Aich-Str. 25
84030 Landshut, Germany
Phone +49 871 707-0
Fax +49 871 707-465
Info3@de.ebmpapst.com
www.ebmpapst.com

As at: 24 July 2013
Version: 1

CONTENTS

1.	SAFETY REGULATIONS AND NOTES	1
1.1.	Hazard warning levels	1
1.2.	Warranty and liability	1
1.3.	Personnel qualifications	1
1.4.	Basic safety regulations	2
1.5.	Voltage and current	2
1.6.	Safety and protective functions	2
1.7.	Electromagnetic radiation	2
1.8.	Mechanical movement	2
1.9.	Noise emissions	2
1.10.	Hot surface	2
1.11.	Transportation	2
1.12.	Storage	2
1.13.	Disposal	2
2.	INTENDED USE	3
2.1.	Intended use also includes	3
2.2.	Improper use	3
3.	CONNECTION AND START-UP	3
3.1.	Mechanical connection	3
3.2.	Electrical connection	3
3.3.	Plug connection	4
3.3.1.	Preparation of cable for connection	4
3.3.2.	Making supply connections	4
3.4.	Checking connections	4
3.5.	General – switching on device	4
3.6.	General – switching off device	4
4.	MAINTENANCE 5	

1. SAFETY REGULATIONS AND NOTES

These instructions must always be made available before working on or with the product, prior to installation and start-up, before performing any maintenance and servicing work and prior to any other usage. Keep the instructions in a safe place for later reference and for any subsequent owners.

Always study these operating instructions carefully before working on or with the product. Observe the following notes and warnings to avoid all risk of injury, damage and malfunctioning and act accordingly.

The product documentation is to be regarded as part of the device. The device is only to be sold or passed on together with this documentation. This product documentation can and should be duplicated and handed over as a source of information on risks and hazard avoidance.

1.1. Hazard warning levels

In this product documentation use is made of the following hazard levels to indicate potentially hazardous situations and important safety regulations:



DANGER

Indicates an imminent hazardous situation which, if the appropriate action is not taken, will result in serious and even fatal injury. The measures must be strictly observed.

WARNING

Indicates a potentially hazardous situation which, if the appropriate action is not taken, could result in serious and even fatal injury. Exercise extreme caution while working.

CAUTION

Indicates a potentially hazardous situation which, if the appropriate action is not taken, could result in slight or minor injury or damage to property.

NOTE

A potentially harmful situation can occur and, if not avoided, can lead to property damage.

1.2. Warranty and liability

Warranty and liability claims in the event of injury and property damage will not be accepted if these can be attributed to one or more of the following causes:

- Improper use of the device
- Inexpert installation, start-up, operation and servicing of the device
- Operation of the device with defective safety equipment or with safety mechanisms and guards not correctly fitted or not in proper working order
- Non-observance of the safety and installation instructions
- Unauthorised structural modifications to the device
- Inexpert repair work
- Force majeure
- Damage arising from continued usage although a fault has occurred
- The conveying of unsuitable media
- Defects in supply lines

1.3. Personnel qualifications

The product is only to be transported, unpacked, operated, serviced or put to any other form of use by appropriately qualified, trained and instructed specialist personnel (exclusively by a qualified electrician where applicable).



1.4. Basic safety regulations

The safety hazards associated with the device must be carefully re-assessed following installation in the end device. The end product is only to be started up after being fully checked for compliance with all the pertinent legal requirements, directives and safety provisions governing the area of application concerned (e.g. specific national accident prevention regulations and technical rules). Observe the following when working on the device:

- Do not make any modifications, additions or conversions to the system without the approval of ebm-papst Landshut.
- Heed the information given in the operating instructions of the end device manufacturer.

1.5. Voltage and current

Check the electrical equipment of the device at regular intervals. Replace loose connections and defective cables immediately.



DANGER

Device electrically charged

Risk of electric shock.

→ Stand on a rubber mat when working on an electrically charged device.



DANGER

Terminals and connections may be live even with the device switched off

Electric shock

→ Wait five minutes following all-pole disconnection of the voltage before touching the device.



DANGER

In the event of a fault, voltage will be applied to the rotor and – if fitted – to the impeller

→ Never touch the rotor and – if fitted – the impeller when installed.



DANGER

If control voltage is being applied or a specified speed value has been stored, the device will start up again automatically, e.g. after mains failure.

Risk of injury

→ Keep out of the danger zone of the device.
→ When working on the device, switch off the mains power supply and secure against renewed switch-on.
→ Wait for the device to stop.

1.6. Safety and protective functions



DANGER

Missing guard and non-functioning safety device

Without a guard there is a risk of serious injury on reaching into the device during operation for example.

→ Never operate the device without a fixed safety barrier and screen. The safety barrier must be capable of withstanding the kinetic energy of a fan blade.

→ The device is a built-in component which does not function independently. The operator is responsible for providing adequate protection.

→ Stop the device immediately if a safety device is found to be missing or ineffective.

1.7. Electromagnetic radiation

Interference from electromagnetic radiation is possible, e.g. in conjunction with open and closed-loop control devices.

If impermissible radiation levels occur following installation, appropriate shielding measures have to be taken before being placed on the market.



NOTE

Electrical or electromagnetic interference after fitting the device in customer installations.

→ Make sure the entire installation satisfies EMC requirements.

1.8. Mechanical movement



DANGER

Rotating device

Risk of injury to any parts of the body coming into contact with the rotor and – if fitted – the impeller.

→ Secure the device to prevent contact. Wait until all parts have come to a standstill before starting work on the installation/machine.

1.9. Noise emissions

WARNING

Depending on the installation and operating conditions, the sound pressure level may exceed 70 dB(A).

Risk of noise-induced hearing loss

→ Take appropriate technical safety measures.
→ Protect operating personnel with appropriate safety equipment, e.g. hearing protection.
→ Also observe the regulations of local authorities.

1.10. Hot surface



CAUTION

High temperature at the housing

Risk of burns

→ Ensure that sufficient protection against accidental contact is provided.

1.11. Transportation



NOTE

Transportation of device

→ The device is only to be transported in its original packaging.
→ During transportation the packaged devices must be suitably fastened and secured to prevent damage caused for example by slipping of the load.

1.12. Storage

- Store the device, partially or fully assembled, in a dry and weatherproof manner in the original packaging in a clean environment.
- Protect the device against ambient influences and dirt until final installation.
- We recommend storing the device for no longer than one year in order to guarantee proper operation and maximum possible service life.
- Ensure compliance with the specified storage temperature.

Installation and safety instructions for AC/DC built-in devices



ebmpapst

1.13. Disposal

Observe all the relevant local requirements and regulations with regard to disposal of the device.

2. INTENDED USE

The device is designed exclusively as a built-in device in accordance with the technical specifications. It does not function independently and is not intended to be handed over to end customers.

Any other usage above and beyond this does not conform to the intended purpose and constitutes misuse of the device.

The end manufacturer is responsible for the end product and must ensure that adequate safety precautions are taken. Customer equipment must be suited to the mechanical, thermal and service life demands involved. All intended applications must be checked by the end manufacturer with respect to safety.

2.1. Intended use also includes

- The device is only to be used at the permissible ambient temperature.
- The device is only to be operated with all safety devices in position.
- The specifications must be observed.
- The built-in component is not to be started up until it has been installed in the customer's device.

2.2. Improper use

In particular the following types of device usage are prohibited and could lead to hazardous situations:

General and fans:

- The conveying of a medium containing abrasive particles.
- The conveying of a medium containing substances (halogens, chlorides, fluorides etc.) which are aggressive and/or highly corrosive.
- The conveying of a medium with a high dust content, e.g. construction materials.

General:

- Operation of the device in an environment containing explosive gases or dusts, combustible solids or flammable liquids.
- Use of the device as a safety component or for the implementation of safety-related functions.
- Operation in medical equipment with a life-sustaining or life-support function.
- Contact with substances which could damage device components, e.g. cleaning fluids.
- Operation with completely or partially disassembled or manipulated safety devices.
- Exposure to radiation which could damage device components, e.g. intense UV radiation.
- Operation with external vibration.
- Operation of the device in an explosive atmosphere.
- In addition, all possible applications not listed under Intended use.

3. CONNECTION AND START-UP

3.1. Mechanical connection



CAUTION

Risk of cuts and crushing when removing the device from its packaging

- Lift the device out of its packaging carefully, taking care to avoid any impact.
- Wear safety shoes and cut-resistant safety gloves.

CAUTION

Unpacking the device involves lifting a heavy load

Risk of sustaining physical injury, such as back injuries.

- Two people are required to lift the device out of its packaging if it weighs more than 10 kg.

- Check the device for transportation damage. Damaged devices are not to be installed.
- Install the device in accordance with the application concerned.
- Make use of suitable fasteners for installation.
- Protect flange surfaces, tighten screws diagonally and take care to avoid strain on installation.

3.2. Electrical connection



DANGER

Voltage at the device

Electric shock

- A protective earth is also always to be provided for the housing/metal parts if these are not connected to a protective earth connection (yellow/green wire) at the motor.
- Check the protective earth.



DANGER

Faulty insulation

Risk of fatal injury from electric shock

- Only use wiring conforming to the insulation specifications with regard to voltage, current, insulation material and load rating etc.
- Take care to route the wiring such that it cannot come into contact with any rotating parts.

WARNING

Voltage, electric shock

The device is a built-in component with no isolating switch.

Metallic parts may be live.

- The device is only to be used together with the specified cable protection.
- Only connect the device to circuits which can be de-energised with an all-pole disconnection switch.
- When working on the device, the power must be interrupted and the system/machine in which the device is installed must be secured so as to prevent renewed switch-on.

WARNING

Ingress of water into wires or cables

The ingress of water at the customer end of the cable may damage the device.

- Make sure the end of the cable is connected in a dry environment.



NOTE

Risk of subjecting devices to interference

- Never route the control lines of the device right alongside the power supply line and ignition cable (if applicable). Maintain the greatest possible clearance.

Recommendation: Clearance > 10 cm (separate cable routing).

Installation and safety instructions for AC/DC built-in devices



ebmpapst

Prerequisites

- Check that the data on the rating plate correspond to the connection data.
- Before connecting the device, make sure the power supply matches the device voltage.
- Only use cables designed for the current level indicated on the rating plate.

Connect wires to terminals (only applies to devices with terminal connection).

WARNING

Terminals and connections may be live even with the device switched off

Electric shock

→ Wait five minutes following all-pole disconnection of the voltage before touching the device.

WARNING

Voltage at cable gland

Electric shock

→ Never use metal cable glands for plastic terminal boxes.

Residual current circuit breakers



It is strongly recommended to make exclusive use of universal residual current devices (type B or B+). As is also the case with frequency converters, the use of residual current devices of type A does not provide protection for personnel during operation of the device.

When the device power supply is switched on, charging current pulses from the capacitors in the integrated EMC filter may cause residual current devices to be instantly tripped. We recommend the use of residual current circuit breakers with an activation threshold of 300 mA and delayed tripping (super-resistant, characteristic K).

Reactive currents



On account of the integrated EMC filter fitted to ensure compliance with the EMC limits (interference emission and immunity), reactive currents can be measured in the mains line even with the motor not running and mains power switched on.

3.3. Plug connection

3.3.1. Preparation of cable for connection



The cables, including the customer interface, are subject to the specifications for internal wiring. Ensure conformity with applicable standards and check the type of protection in the end device after installing the ebmpapst device.

3.3.2. Making supply connections

WARNING

Voltage

The device is a built-in component with no isolating switch.

→ Connect the device to a suitable tripping device.

→ Only connect the device to circuits which can be de-energised with an all-pole disconnection switch.

→ When working on the device, the system/machine in which the device is installed must be secured so as to prevent renewed switch-on.

→ Never reach into the opening - risk of injury. The protective earth must be connected.

→ Caution - metallic parts may be live: Interrupt the power supply.

→ Protection for the fan/motor must be provided in the device by way of a fuse, thermal cut-out, overcurrent release or similar.

→ In accordance with DIN EN 60335-1, a fuse with a rating of max. 16 A must be fitted in the supply line to protect the device.

- Check the pin assignment of your connector.
- Plug the built-in connector and mating connector together.
- Make sure the connector is properly engaged.

3.4. Checking connections

- Ensure isolation from the supply (all phases). Secure against renewed switch-on.
- Check that the mating connector is properly engaged in the built-in connector.
- Check that the mating connector is properly attached to the connecting cable.

3.5. General – switching on device



WARNING

Hot housing

Risk of fire

→ Make sure there are no combustible and flammable substances in the vicinity of the device.

- Before switching on, check the device for any obvious external damage and make sure the safety devices are functioning properly.
- Apply the nominal supply voltage.
- Start the device by altering the input signal.
- Check the air flow paths of the device for foreign matter and remove any foreign matter found.
- Apply 0 VDC to the 0-10 V control input if this is being used.
- Apply 0 % PWM to the PWM control input if this is being used.

3.6. General – switching off device

- Device switch-off during operation:
- Switch off the device by way of the control input.
- Do not switch the motor on and off at the mains (e.g. in cyclical operation).
- Device switch-off for maintenance:
- Switch off the device by way of the control input.
- Disconnect the device from the power supply.
- On disconnection, make sure the earth conductor connection is disconnected last.

Installation and safety instructions for AC/DC built-in devices



ebmpapst

4. MAINTENANCE

- Never perform repair work on the device. Send the device to ebm-papst for repair or replacement.

WARNING

Terminals and connections may be live even with the device switched off.

Electric shock

→ Wait five minutes following all-pole disconnection of the voltage before touching the device.

WARNING

If control voltage is being applied or a specified speed value has been stored, the device will start up again automatically, e.g. after mains failure.

Risk of injury

→ Keep out of the danger zone of the device.

→ When working on the device, switch off the mains power supply and secure against renewed switch-on.

→ Wait for the device to stop.

→ After working on the device, remove any tools or other objects used.

WARNING

The motor may start up again automatically if the control signal of a device connected to the mains ceases to be applied.

Risk of injury

→ When working on the device, switch off the mains power supply and secure against renewed switch-on.

→ Wait for the device to stop.

WARNING

Device still electrically charged following switch-off

Risk of electric shock on contact

→ Wait 5 minutes following all-pole disconnection of the voltage before touching the device.

Manufacturer's Declaration

We declare that,

Manufacturer: **ebm-papst Landshut GmbH**
Address: **Hofmark-Aich-Straße 25; 84030 Landshut**
Country: **Germany**
Telephone number: **+49 (0)871 707-0**
Fax number: **+49 (0)871 707-465**

has sole responsibility for the following component in the installation:

Description: **Cross Flow Blower with AC-Motor**
Type Description / Part Number: **QLZ06/0030A59-3038Lh-40 aze 55412.70311**

And that the following documents apply:

Statutory Provisions: **Equipment and Operations Safety (GPSG)
Low Voltage Directive 2006/95/EG**

Standard: **DIN EN 60335-1:2010-11**
Household and similar electrical appliances - Safety

Restrictions: The following clauses of the above standard are partially not fulfilled by the component in the installation:

- Heating, especially in conjunction with abnormal operation (DIN EN 60335-1 chapter 19)
- Protection against access to moving, active or isolating parts, respectively clearance and creepage distance (DIN EN 60335-1 chapter 8, 20.2, 21.1, 21.2, 22.5)
- Resistance to oil, fat and similar substances (DIN EN 60335-1 chapter 22.9)
- Safeguard against excessive gas pressure (DIN EN 60335-1 chapter 22.7)


and therefore should be taken into account within the customer's appliance.

The EMC-behaviour must be verified within the customer's appliance.

Further details of the specification are contained in the installation manual (Drawing Z10) and notice must be taken of the protection and insulation classes. (DIN EN 60335-1 chapter 22.6)

Place of issue and date:

Landshut, 28.05.2014


i. A. Hans-Jürgen Withopf
Key Account Manager

HOW TO OPERATE YOUR WOOD STOVE EFFICIENTLY



ACCENSIONE E FUNZIONAMENTO DI UNA STUFA ECODESIGN



ALLUMAGE ET FONCTIONNEMENT D'UN POÊLE ECODESIGN



ZÜNDUNG UND BETRIEB EINES ECODESIGNKAMINOFENS



ENCENDIDO Y FUNCIONAMIENTO DE UNA ESTUFA ECODESIGN



ZAPLON I DZIAŁANIE PIECA NA DREWNO



WERKING VAN EEN ECODESIGN KACHEL



ZAPLENÍ A SPRVNE FUNGOVANÍ KAMEN ECODESIGN



ILUMINAÇÃO E FUNCIONAMENTO DE UMA SALAMANDRA A LENHA



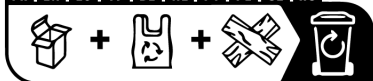
FATUZELESU KALYHA MEGVILAGITASA ES MUKODTETESE



TÜVRheinland®
CERT
ISO 9001



FR EN ES IT DE NL PT PL CZ HU



HIJO DE MIGUEL
PANADERO

P.I. CAMPOLLANO
AVENIDA 5º, 13-15
02007 ALBACETE - SPAIN
Telf.: (+34) 967 59 24 00
panadero@panadero.com